

TADANO CARGO CRANE

MODEL : **TM-ZE504HRS**

CRANE SPECIFICATIONS

<u>CRANE CAPACITY</u>	3,130 kg at 3.7 m (4-part line)
<u>BOOM</u>	Four-sectioned, fully powered partly synchronized telescoping boom of heptagonal box construction Retracted length----- 3.55 m Extended length -----10.8 m Extending speed ----- 7.25 m / 21 s Elevation ----- Elevated by a double-acting hydraulic cylinder Elevating speed ----- 1° to 78° / 12 s Boom point ----- 2 sheaves
<u>WINCH</u>	Hydraulic motor driven Spur gear speed reduction, provided with mechanical brake Single line pull ----- 7.70 kN {785 kgf} Single line speed ----- 76 m/min (at 4th layer) Wire rope Diameter x length --- 8 mm x 69 m Breaking strength --- 43.1 kN {4.39 tf} Construction ----- 7 x 7 + 6 x WS(26) Hook block ----- 2 sheaves
<u>HOOK STOWING DEVICE</u>	Mechanically stowed beneath boom top portion

RATED LIFTING CAPACITIES IN KILOGRAMS

Crane Strength Rated Capacities

Load Radius	3.55 m / 5.99 m / 8.39m Boom		Load Radius	10.8 m Boom	
	Extension width of outriggers			Extension width of outriggers	
	Full	Minimum		Full	Minimum
2.5 m and below	3,130	3,130	3.5 m and below	2,130	1,930
3.0 m	3,130	2,630	4.5 m	2,130	1,330
3.7 m	3,130	1,870	5.0 m	2,030	1,080
4.0 m	2,930	1,630	6.0 m	1,780	780
4.5 m	2,580	1,380	7.0 m	1,530	730
5.0 m	2,330	1,130	8.0 m	1,380	550
5.5 m	2,080	930	9.0 m	1,200	500
6.0 m	1,930	830	10.0 m	1,050	430
6.5 m	1,780	780	10.58 m	1,000	380
7.0 m	1,630	730			
7.5 m	1,480	650			
8.17 m	1,380	550			

NOTES : 1. The mass of hook block (30kg), slings and all similarly used load handling devices must be added to the mass of the load.

2. The above numerical values of total rated loads are based on crane strength only. The total rated loads based on stability may lower than those in the above table depending on the loading conditions and the types of the chassis.

Empty Chassis Rated Capacities

Table A

Load Radius	3.55 m / 5.99 m / 8.39m Boom		Load Radius	10.8 m Boom	
	Extension width of outriggers			Extension width of outriggers	
	Full	Minimum		Full	Minimum
2.6 m and below	3,130	2,480	3.5 m and below	2,130	1,480
3.4 m	3,130	1,580	4.0 m	2,130	1,180
3.6 m	2,930	1,430	4.5 m	1,980	930
4.0 m	2,430	1,180	5.0 m	1,630	780
4.5 m	1,980	930	6.0 m	1,180	580
5.0 m	1,680	830	7.0 m	1,000	450
5.5 m	1,430	680	8.0 m	800	380
6.0 m	1,180	580	9.0 m	680	330
6.5 m	1,130	550	10.0 m	580	280
7.0 m	1,000	480	10.58 m	550	250
7.5 m	900	430			
8.17 m	780	380			

Table B

Load Radius	3.55 m / 5.99 m / 8.39m Boom		Load Radius	10.8 m Boom	
	Extension width of outriggers			Extension width of outriggers	
	Full	Minimum		Full	Minimum
2.3 m and below	3,130	3,130	3.5 m and below	2,130	1,730
3.0 m	3,130	2,280	4.0 m	2,130	1,430
3.7 m	3,130	1,580	4.5 m	2,130	1,180
4.0 m	2,930	1,430	5.0 m	1,980	930
4.5 m	2,430	1,180	6.0 m	1,480	730
5.0 m	2,030	980	7.0 m	1,180	580
5.5 m	1,730	830	8.0 m	950	480
6.0 m	1,480	730	9.0 m	880	430
6.5 m	1,380	680	10.0 m	730	350
7.0 m	1,230	630	10.58 m	680	330
7.5 m	1,080	530			
8.17 m	980	480			

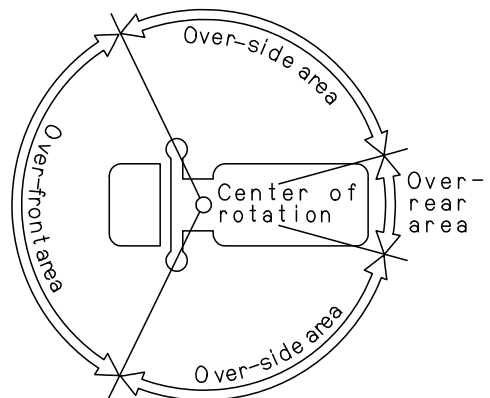
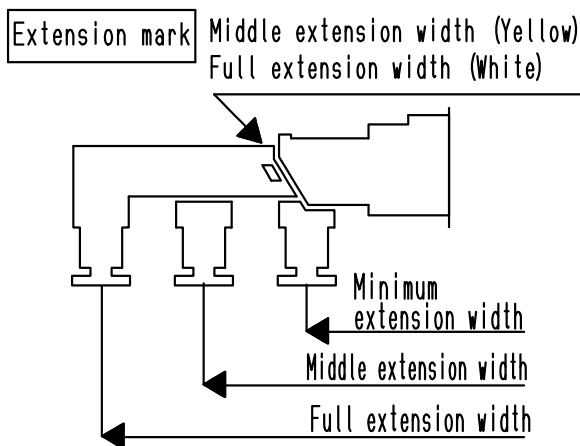
Table C

Load Radius	3.55 m / 5.99 m / 8.39m Boom		Load Radius	10.8 m Boom	
	Extension width of outriggers			Extension width of outriggers	
	Full	Minimum		Full	Minimum
2.5 m and below	3,130	3,130	3.5 m and below	2,130	1,930
3.0 m	3,130	2,630	4.5 m	2,130	1,330
3.7 m	3,130	1,870	5.0 m	2,030	1,080
4.0 m	2,930	1,630	6.0 m	1,780	780
4.5 m	2,580	1,380	7.0 m	1,480	730
5.0 m	2,330	1,130	8.0 m	1,200	550
5.5 m	2,030	930	9.0 m	1,030	500
6.0 m	1,830	830	10.0 m	900	430
6.5 m	1,650	780	10.58 m	830	380
7.0 m	1,480	730			
7.5 m	1,350	650			
8.17 m	1,180	550			

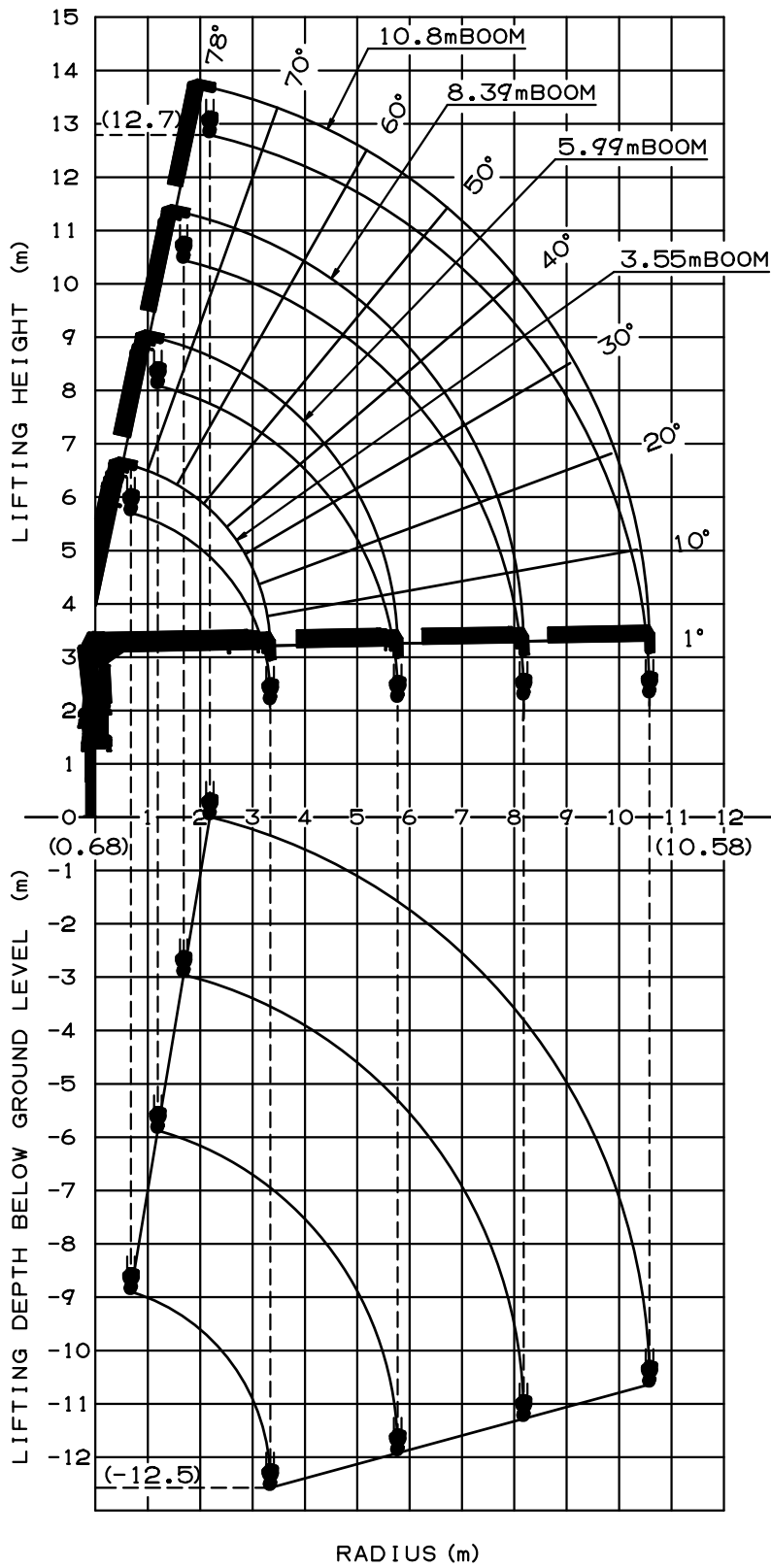
Table D

Load Radius	3.55 m / 5.99 m / 8.39m Boom		Load Radius	10.8 m Boom	
	Extension width of outriggers			Extension width of outriggers	
	Full	Minimum		Full	Minimum
2.5 m and below	3,130	3,130	3.5 m and below	2,130	1,930
3.0 m	3,130	2,630	4.5 m	2,130	1,330
3.7 m	3,130	1,870	5.0 m	2,030	1,080
4.0 m	2,930	1,630	6.0 m	1,780	780
4.5 m	2,580	1,380	7.0 m	1,530	730
5.0 m	2,330	1,130	8.0 m	1,380	550
5.5 m	2,080	930	9.0 m	1,200	500
6.0 m	1,930	830	10.0 m	1,050	430
6.5 m	1,780	780	10.58 m	1,000	380
7.0 m	1,630	730			
7.5 m	1,480	650			
8.17 m	1,380	550			

- NOTES :
1. Empty Chassis Rated Capacities in these tables depend on condition that crane is set level on firm level ground.
 2. The mass of the hook (30 kg), slings and all similarly used load handling devices must be added to the mass of the load.
 3. For boom lengths not shown, use the rated lifting capacity of next longer boom.
 4. When outriggers are extended to middle extension width, use the rated lifting capacities for outriggers are extended to minimum extension width.
 5. 8.39m boom means \sphericalangle mark on 3rd boom section side plate is half seen.
 6. Empty Chassis Rated Capacities table A, B, C and D depend on the types of chassis.
 7. Empty Chassis Rated Capacities are shown for over - side areas and over - rear area.
These capacities for over - front area may lowered depending on the types of chassis.



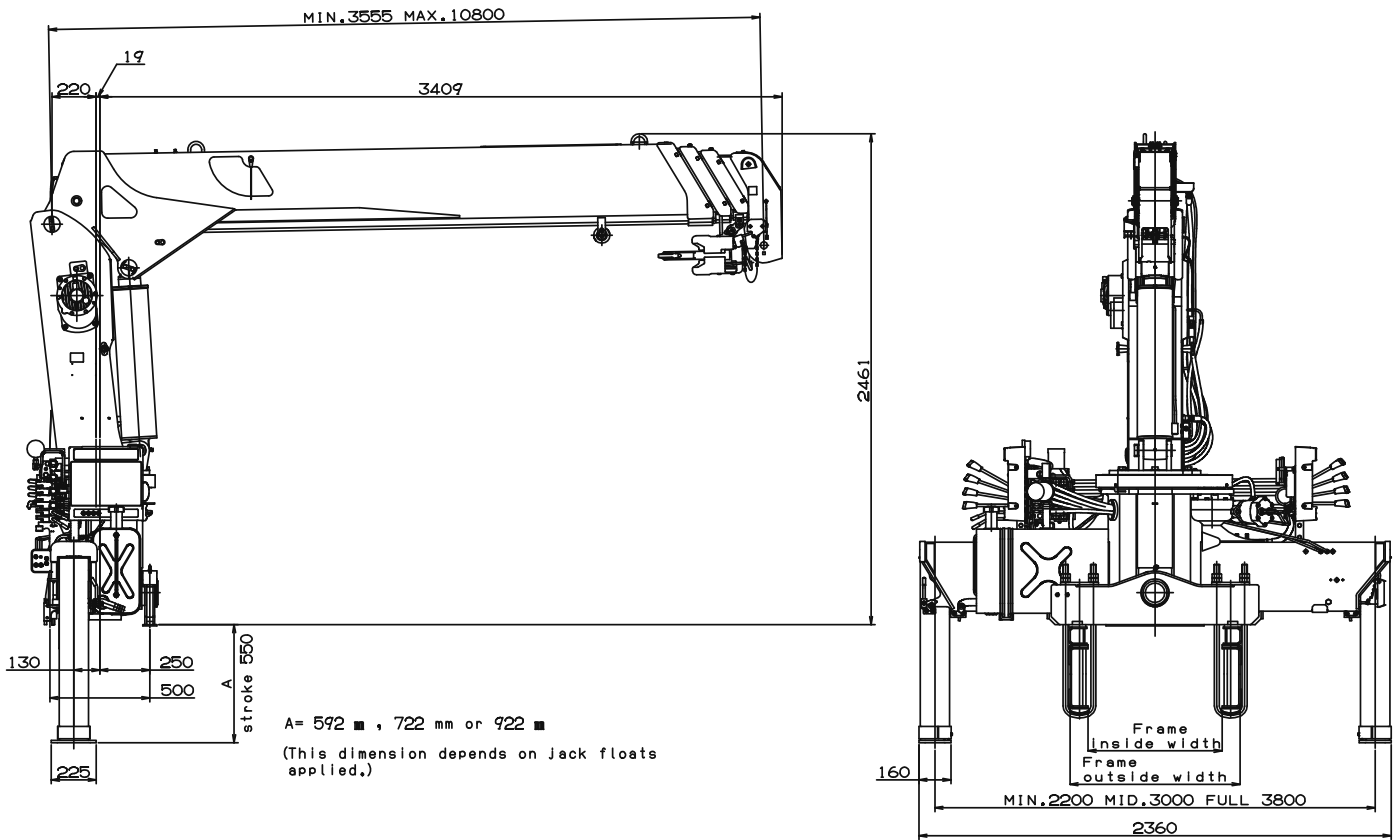
WORKING RANGE



NOTE: The above lifting heights and boom angles are based on a straight (unladen) boom, and allowance should be made for boom deflection obtained under laden conditions.

DIMENSIONS

[TM-ZE504HRS]



GENERAL DATA FOR SUITABLE TRUCKS

- Gross vehicle mass (including crane mass) ----- 12,000 to 25,000 kg
- P.T.O. torque ----- 157 N-m{16 kgf-m} min.
- P.T.O. revolution ----- Approx. 270 to 2,800 min⁻¹{rpm}
- Width for crane mounting ----- Approx. 750 mm min.
- Frame ----- Weight distribution and frame strength
 should be calculated for each truck
- Frame width range (inside to outside) ----- Approx. 610 to 960 mm
- Frame height (ground to frame top) ----- Approx. 1,235 mm max.
 (Height of crane mounting base can be changed
 by combination of jack floats and crane bases)