





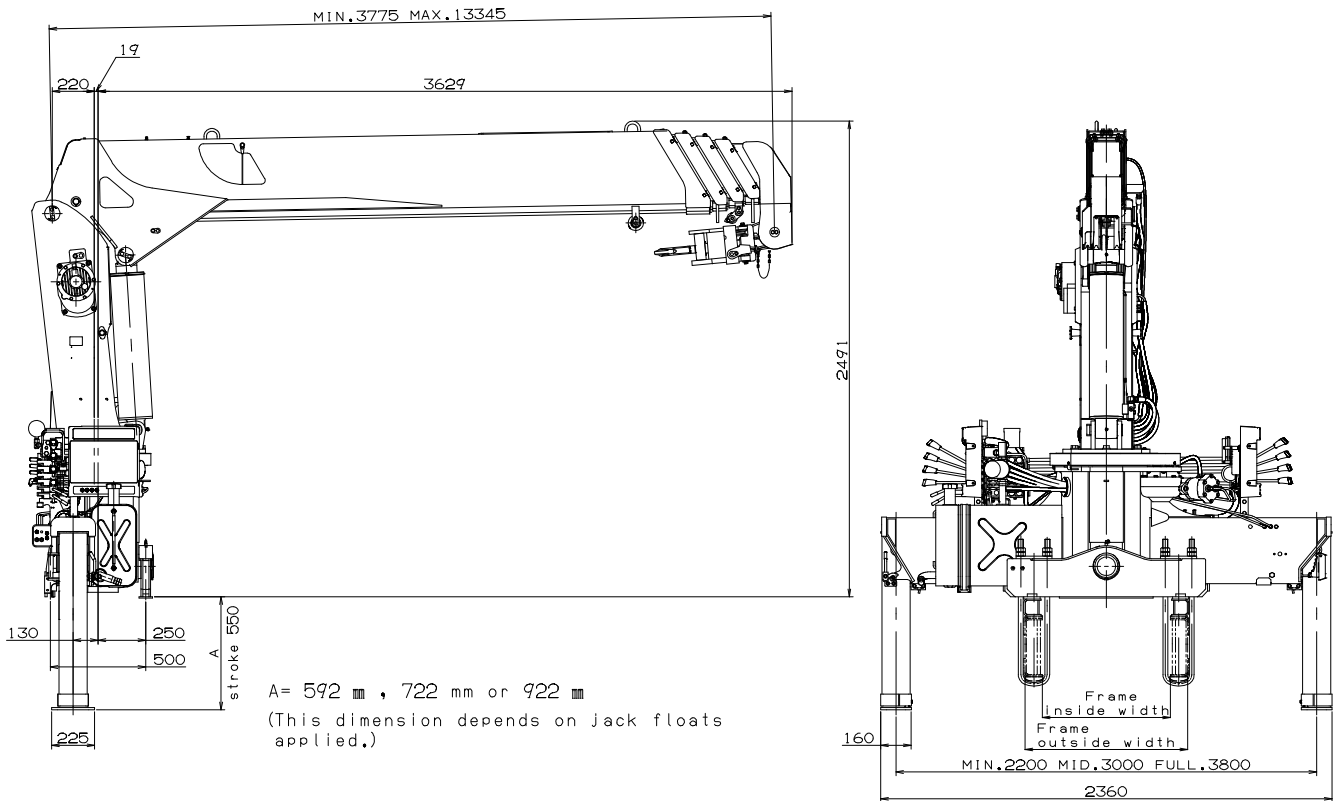








## DIMENSIONS [TM-ZE505GHR]



## GENERAL DATA FOR SUITABLE TRUCKS

Gross vehicle mass (including crane mass) -----	12,000 to 25,000 kg
P.T.O. torque -----	157 N-m{16 kgf-m} min.
P.T.O. revolution -----	Approx. 270 to 2,800 min <sup>-1</sup> {rpm}
Width for crane mounting -----	Approx. 750 mm min.
Frame -----	Weight distribution and frame strength should be calculated for each truck
Frame width range (inside to outside) -----	Approx. 610 to 960 mm
Frame height (ground to frame top) -----	Approx. 1,235 mm max.
	(Height of crane mounting base can be changed by combination of jack floats and crane bases)