

TADANO CARGO CRANE

MODEL : **TM-ZR565S(HEF)**

CRANE SPECIFICATIONS

<u>CRANE CAPACITY</u>	3,130 kg at 3.7 m (4-part lines)
<u>BOOM</u>	5-sectioned, fully powered partly synchronized telescoping boom of pentagonal box construction Retracted length ----- 3.77 m Extended length ----- 13.34 m Extending speed ----- 9.57 m / 25 s Elevation ----- Elevated by a double-acting hydraulic cylinder Elevating speed ----- 1° to 78° / 12 s Boom point ----- 2 sheaves
<u>WINCH</u>	Hydraulic motor driven Spur gear speed reduction, provided with mechanical brake and cable follower Single line pull ----- 7.70 kN{785 kgf} Single line speed ----- 76 m/min (at 4th layer) Wire rope Diameter x length --- 8 mm x 80 m Breaking strength --- 43.1 kN{4.39 tf} Construction ----- 7 x 7 + 6 x WS(26) Hook block ----- 2 sheaves
<u>HOOK STOWING DEVICE</u>	Mechanically stowed beneath boom top portion
<u>SWING</u>	Hydraulic motor driven Worm gear speed reduction Continuous 360° full circle swing on ball bearing slew ring Automatic swing lock Swing speed ----- 2.5 min ⁻¹ {rpm}

Specifications are subject to change without notice.

OUTRIGGERS

Manually extended sliders and hydraulically extended jacks
(Standard outrigger)

Hydraulically extended sliders and hydraulically extended jacks
(Power slide outrigger)

Integral with crane frame Power up and down

Extended width ----- Min. 2,200 mm
Mid. 3,300 mm , 4,300 mm
Max. 4,800 mm

HYDRAULICS

Hydraulic pump ----- Single gear pump

Hydraulic motors ----- Axial piston type for winch
Axial piston type for swing

Control valves ----- Multiple control valves with integral
safety valve

Oil tank capacity ----- approx. 90 L

RADIO CONTROLLER

Model : RCS-F (Approved by ACMA)

Control functions of boom telescoping, hoisting up and down,
boom elevating, swing, acceleration, speed mode selection,
Hook-in, Hook-out, vehicle horn and emergency stop

Frequency ----- 40 frequencies in 433 MHz band

Operating power supply

Transmitter ----- 6V DC, Dry battery R6P(SUM-3) x 4

Control unit ----- 24V DC, Vehicle battery

Transmitter mass ---- Approx. 576 g (includes batteries)

SAFETY DEVICES

AML(Automatic Moment Limiter)

Load indication

Load moment ratio to rated load indication

Warning alarm

Over load limiter

WHL(Working Height Limiter)

Radius indicator

Emergency stop switch on radio controller

Terminal for emergency stop switch

Over-winding alarm

Hoisting limiter

P.T.O. indicator lamp

Hook safety latch

Hydraulic safety valves, check valves and holding valves

Level gauge

CRANE MASS

Approx. 2,135kg (Standard outrigger)

Approx. 2,185kg (Power slide outrigger)

(includes standardized mounting parts)

NOTE :

Operating speeds of the crane are guaranteed under the
condition that the pump delivery is 60 L/min.

RATED LIFTING CAPACITIES IN KILOGRAMS

Empty Chassis Rated Capacities

Table A

Load Radius	3.77 m / 6.21 m / 8.59 m Boom		Load Radius	10.97 m Boom	Load Radius	13.34 m Boom
	Outriggers Extended			Outriggers Extended		Outriggers Extended
	Max.	Min.		Max.		Max.
2.6 m and below	3,130	2,080	4.5 m and below	2,030	5.0 m and below	1,330
3.0 m	3,130	1,600	5.0 m	1,780	6.0 m	1,100
3.7 m	3,130	1,180	6.0 m	1,230	7.0 m	930
4.5 m	2,130	780	7.0 m	930	8.0 m	730
5.0 m	1,780	630	8.0 m	730	9.0 m	630
5.5 m	1,500	530	9.0 m	630	10.0 m	530
6.0 m	1,230	480	10.0 m	530	11.0 m	450
6.5 m	1,100	400	10.75m	480	12.0 m	400
7.0 m	930	330			13.12m	330
7.5 m	830	300				
8.37m	730	230				

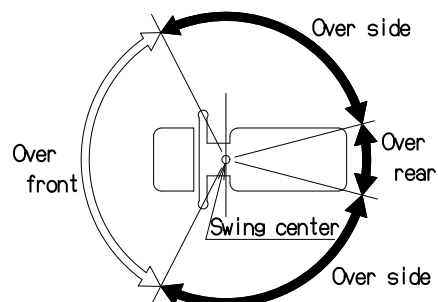
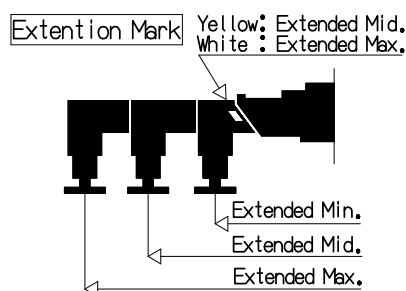
Table B

Load Radius	3.77 m / 6.21 m / 8.59 m Boom		Load Radius	10.97 m Boom	Load Radius	13.34 m Boom
	Outriggers Extended			Outriggers Extended		Outriggers Extended
	Max.	Min.		Max.		Max.
2.6 m and below	3,130	2,730	4.0 m and below	2,030	5.0 m and below	1,330
3.0 m	3,130	2,150	4.5 m	2,030	6.0 m	1,100
3.7 m	3,130	1,500	5.0 m	1,830	7.0 m	950
4.5 m	2,430	1,080	6.0 m	1,480	8.0 m	830
5.0 m	2,130	900	7.0 m	1,230	9.0 m	730
5.5 m	1,880	800	8.0 m	1,030	10.0 m	650
6.0 m	1,650	700	9.0 m	880	11.0 m	600
6.5 m	1,480	600	10.0 m	780	12.0 m	550
7.0 m	1,350	530	10.75m	730	13.12m	500
7.5 m	1,230	480				
8.37m	1,080	400				

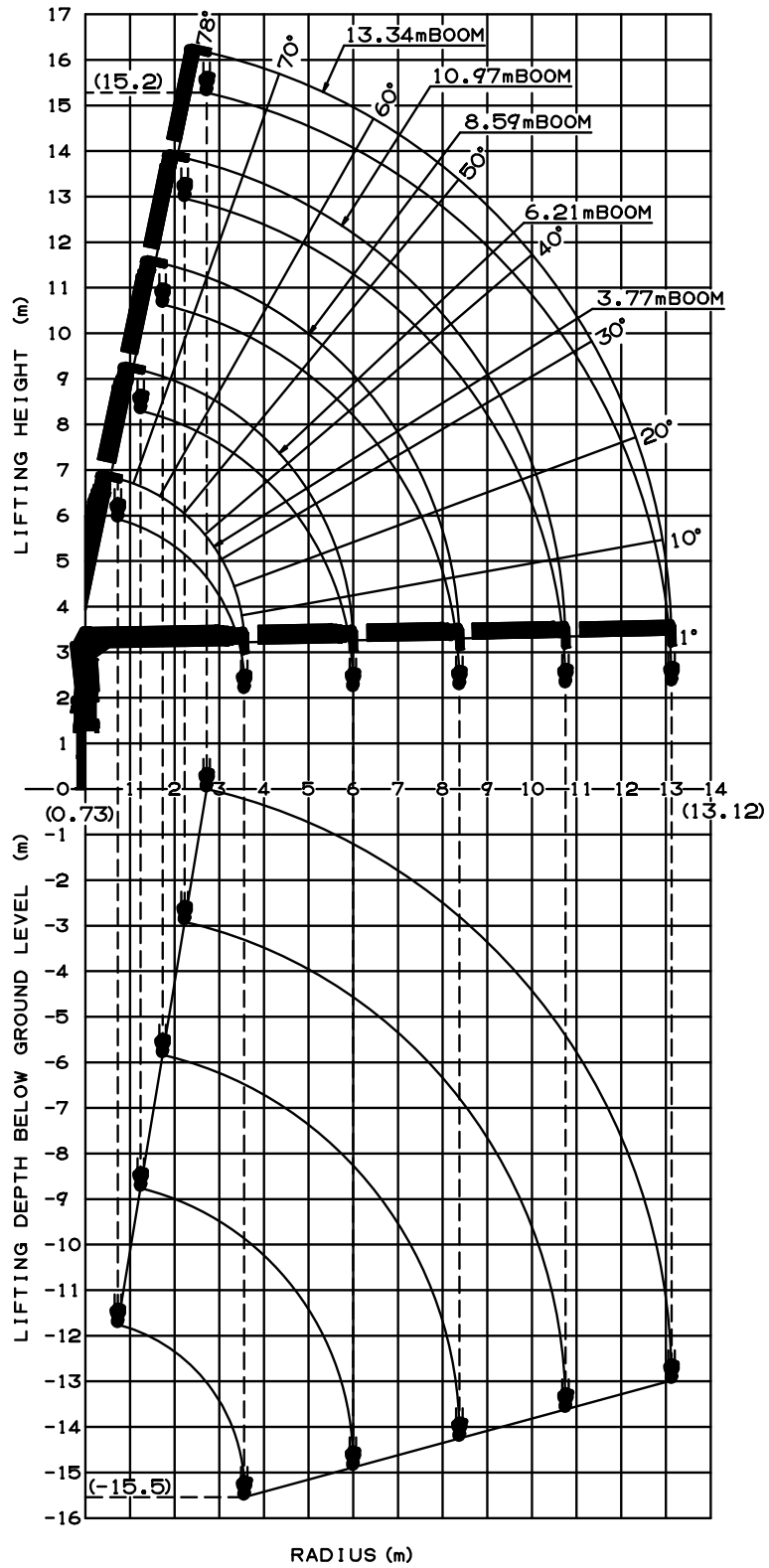
Table D

Load Radius	3.77 m / 6.21 m / 8.59 m Boom		Load Radius	10.97 m Boom	Load Radius	13.34 m Boom
	Outriggers Extended			Outriggers Extended		Outriggers Extended
	Max.	Min.		Max.		Max.
2.6 m and below	3,130	2,980	4.5 m and below	2,030	5.0 m and below	1,330
3.0 m	3,130	2,530	5.0 m	1,830	6.0 m	1,100
3.7 m	3,130	1,880	6.0 m	1,480	7.0 m	950
4.5 m	2,430	1,330	7.0 m	1,230	8.0 m	830
5.0 m	2,130	1,130	8.0 m	1,030	9.0 m	730
5.5 m	1,880	1,000	9.0 m	880	10.0 m	650
6.0 m	1,650	880	10.0 m	780	11.0 m	600
6.5 m	1,480	780	10.75m	730	12.0 m	550
7.0 m	1,350	700			13.12m	500
7.5 m	1,230	630				
8.37m	1,080	530				

- NOTES :
1. Empty Chassis Rated Capacities in these tables depend on condition that crane is set level on firm level ground.
 2. The mass of the hook (30 kg), slings and all similarly used load handling devices must be added to the mass of the load.
 3. For boom lengths not shown, use the rated lifting capacity of next longer boom.
 4. When outriggers are extended to middle position, use the rated lifting capacities for outriggers are extended to minimum position.
 5. For boom lengths longer than 8.59 m, extend outriggers to maximum.
 6. 10.97m boom means \square mark on 4th boom section side plate is half seen.
 7. Empty Chassis Rated Capacities table A, B and D depend on the types of chassis.
 8. Empty Chassis Rated Capacities are shown for over sides and rear. These capacities for over front work area may lowered depending on the types of chassis.

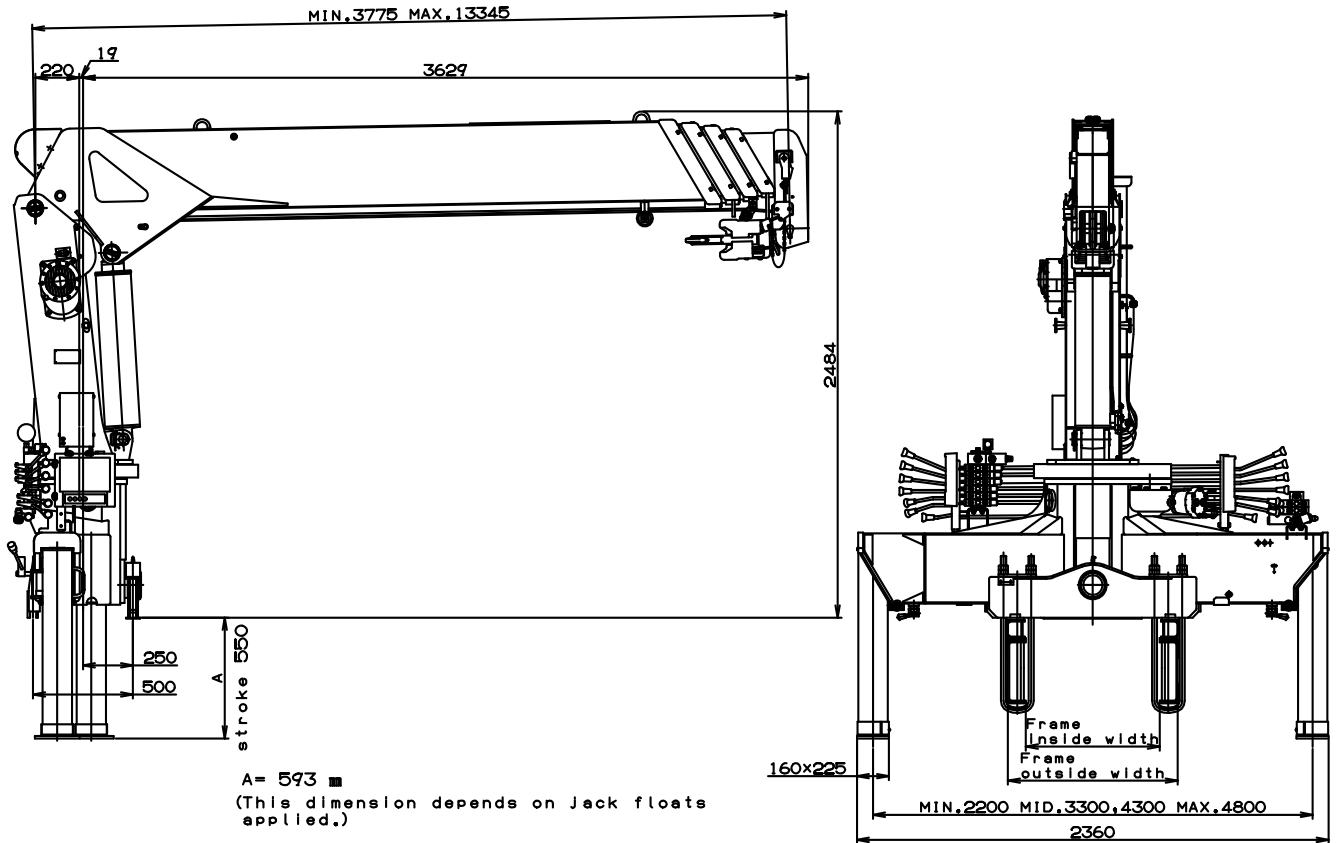


WORKING RANGE



NOTE : The above lifting heights and boom angles are based on a straight (unladen) boom, and allowance should be made for boom deflection obtained under laden conditions.

DIMENSIONS



GENERAL DATA FOR SUITABLE TRUCKS

- Gross vehicle mass (including crane mass) -----12,000 to 25,000 kg
- P.T.O. torque -----157 N-m{16 kgf-m} min.
- P.T.O. revolution -----Approx. 270 to 2,800 min⁻¹{rpm}
- Width for crane mounting -----Approx. 750 mm min.
- Frame -----Weight distribution and frame strength should be calculated for each truck
- Frame width range (inside to outside) ----- Approx. 610 to 960 mm
- Frame height (ground to frame top) ----- Approx. 1,235 mm max.
 (Height of crane mounting base can be changed by combination of jack floats and crane bases)