

## TADANO CARGO CRANE

MODEL : **TM-ZR604G(HS)**

## CRANE SPECIFICATIONS

MAXIMUM LIFTING CAPACITY    6,000 kg at 2.4 m (4-part lines)

CRANE CAPACITY                    4,840 kg at 3.1 m (4-part lines)

BOOM                                    Four-sectioned, fully powered partly synchronized telescoping boom

Retracted length ----- 4.31 m

Extended length -----12.91m

Extending speed ----- 8.6 m / 23 s

Elevation ----- Elevated by a double-acting hydraulic cylinder

Elevating speed ----- 1° to 82° / 24 s

Boom point ----- 2 sheaves

WINCH                                    Hydraulic motor driven    Spur gear speed reduction, provided with mechanical brake

Single line pull ----- 14.72 kN {1,500 kgf}

Single line speed ----- 64 m/min (at 4th layer)

Wire rope

Diameter x length --- 10 mm x 80 m

Breaking strength --- 73.5 kN {7.5 tf}

Construction ----- 7 x 7 + 6 x Fi(29)

Hook block ----- 2 sheaves

HOOK STOWING DEVICE    Mechanically stowed beneath boom top portion

Specifications are subject to change without notice.

SWING Hydraulic motor driven Worm gear speed reduction Continuous  
 360° full circle swing on ball bearing slew ring Automatic swing lock  
 Swing speed ----- 2.5 min<sup>-1</sup> {rpm}

OUTRIGGERS Hydraulically extended sliders and hydraulically extended jacks  
 Integral with crane frame Power up and down  
 Extended width ----- Min. 2.25 m  
 Mid. 3.10 m  
 Max. 3.90 m

HYDRAULICS Hydraulic pump ----- Tandem gear pump  
 Hydraulic motors ----- Axial piston type for winch  
 Axial piston type for swing  
 Control valves ----- Multiple control valves with integral  
 safety valve  
 Oil tank capacity ----- approx. 90 L

SAFETY DEVICES AML(Automatic Moment Limiter)  
 Load indication  
 Load moment ratio to rated load indication  
 Warning alarm  
 Over load limiter  
 WHL(Working Height Limiter)  
 Load indicator  
 Over-unwinding prevention  
 Terminal for emergency stop switch  
 Over-winding alarm  
 Hoisting limiter  
 P.T.O indicator lamp  
 Hook safety latch  
 Hydraulic safety valves, check valves and holding valves  
 Level gauge

CRANE MASS Approx. 2,647 kg (crane bare)

NOTE : Operating speeds of the crane are guaranteed under the condition that the pump  
 delivery is 85 L/min.

## RATED LIFTING CAPACITIES IN KILOGRAMS

### Empty Chassis Rated Capacities

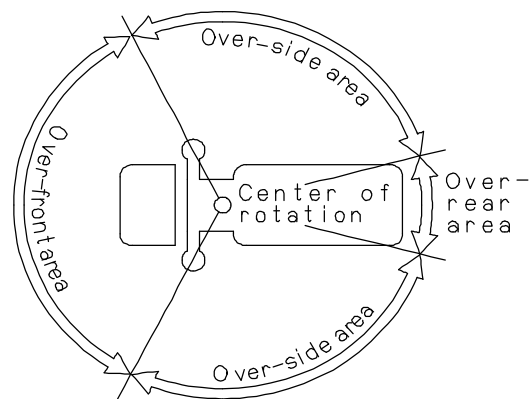
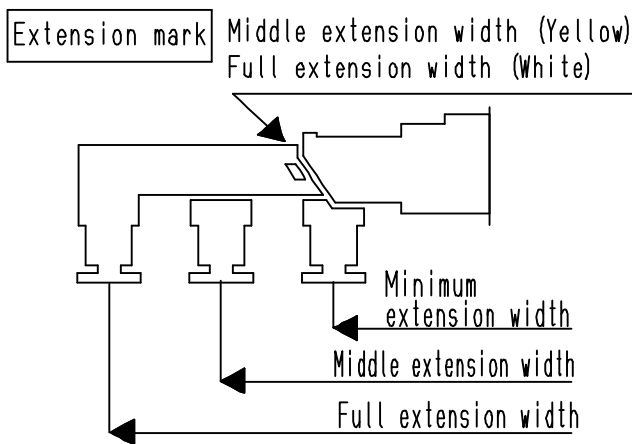
Table A

Load Radius	4.31m / 7.19m Boom		Load Radius	10.05m Boom		Load Radius	12.91 m Boom	
	Outriggers Extended			Outriggers Extended			Outriggers Extended	
	Full	Minimum		Full	Minimum		Full	Minimum
2.4 m and below	6,000	2,940	2.4 m and below	2,940	2,940	2.4 m and below	2,940	2,940
3.1 m	4,840	2,490	3.1 m	2,940	2,490	3.1 m	2,940	2,490
3.5 m	4,140	2,040	3.5 m	2,940	2,040	3.5 m	2,940	2,040
4.0 m	3,640	1,690	4.1 m	2,940	1,640	4.1 m	2,940	1,640
4.5 m	2,640	1,390	5.0 m	2,290	1,190	5.0 m	2,290	1,190
5.0 m	2,290	1,190	6.0 m	1,740	890	6.0 m	1,740	890
6.0 m	1,740	890	7.0 m	1,340	690	7.0 m	1,340	690
6.94 m	1,390	690	8.0 m	1,090	540	8.0 m	1,090	540
			9.0 m	940	440	9.0 m	940	440
			9.8 m	790	390	10.0 m	790	390
						11.0 m	690	340
						12.66 m	540	190

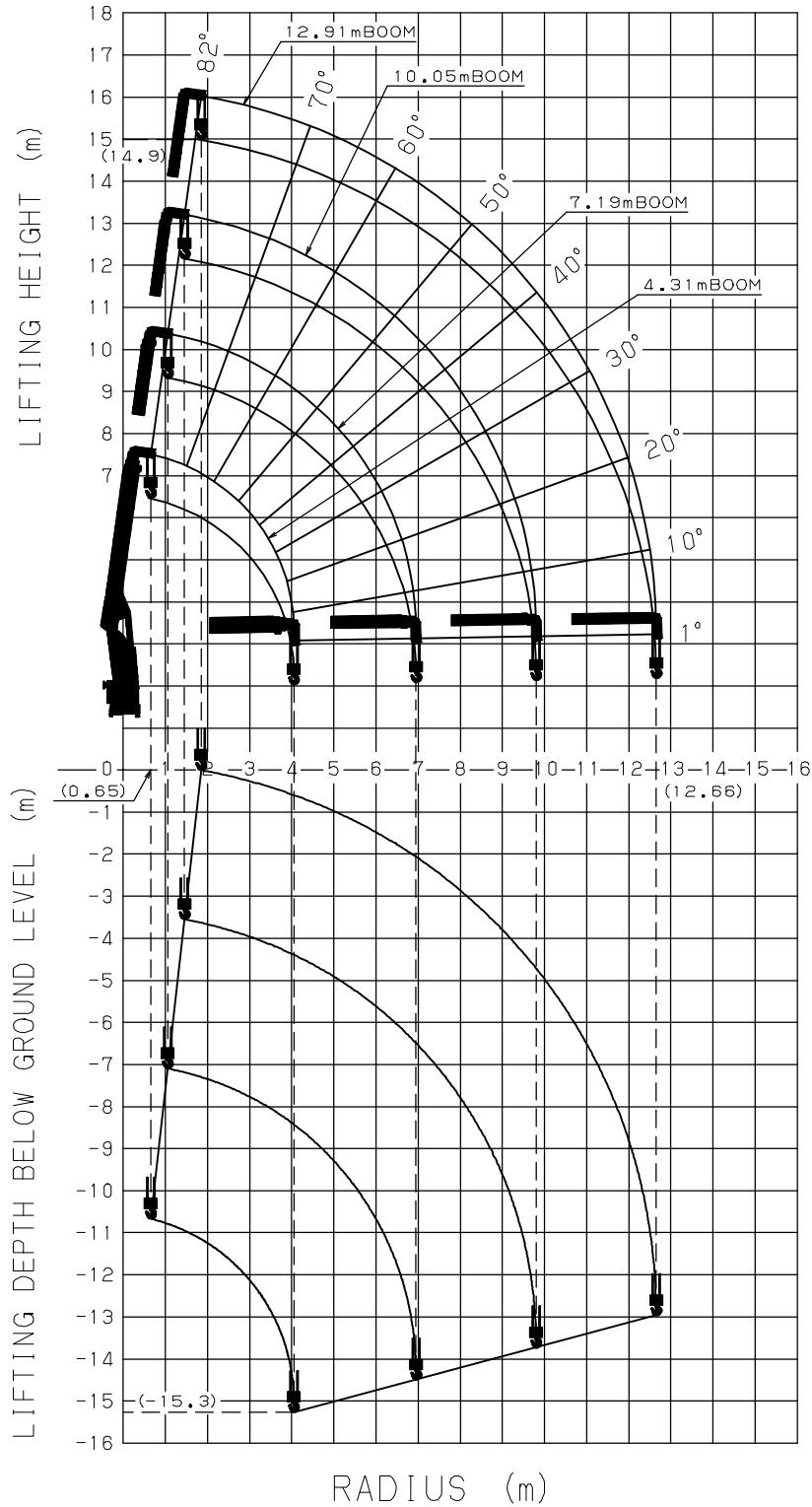
Table D

Load Radius	4.31m / 7.19m Boom		Load Radius	10.05m Boom		Load Radius	12.91 m Boom	
	Outriggers Extended			Outriggers Extended			Outriggers Extended	
	Full	Minimum		Full	Minimum		Full	Minimum
2.4 m and below	6,000	2,940	2.4 m and below	2,940	2,940	2.4 m and below	2,940	2,940
3.1 m	4,840	2,540	3.1 m	2,940	2,540	3.1 m	2,940	2,540
3.5 m	4,140	2,090	3.5 m	2,940	2,090	3.5 m	2,940	2,090
4.0 m	3,640	1,740	4.1 m	2,940	1,640	4.1 m	2,940	1,640
4.5 m	3,240	1,440	4.5 m	2,940	1,440	4.5 m	2,940	1,440
5.0 m	2,840	1,190	5.0 m	2,840	1,190	5.0 m	2,590	1,190
6.0 m	2,140	890	6.0 m	2,140	890	6.0 m	2,140	890
6.94 m	1,740	690	7.0 m	1,740	690	7.0 m	1,740	690
			8.0 m	1,490	540	8.0 m	1,440	540
			9.0 m	1,290	440	9.0 m	1,240	440
			9.8 m	1,140	390	10.0 m	1,040	390
						11.0 m	890	340
						12.66m	640	190

- NOTES : 1. Empty Chassis Rated Capacities in these tables depend on condition that crane is set level on firm level ground.
2. Capacities in these tables include slings and similarly used load handling devices, and they must be added to the mass of the load. They don't, however, include the mass of hook block (60kg).
3. For boom lengths not shown, use the rated lifting capacity of next longer boom.
4. When outriggers are extended to middle extension width, use the rated lifting capacities for outriggers are extended to minimum extension width.
5. 10.05m boom means  $\sphericalangle$  mark on 3rd boom section side plate is half seen.
6. Empty Chassis Rated Capacities table A and D depend on the types of chassis.
7. Empty Chassis Rated Capacities are shown for over - side areas and over-rear area. These capacities for over - front area may lowered depending on the types of chassis.

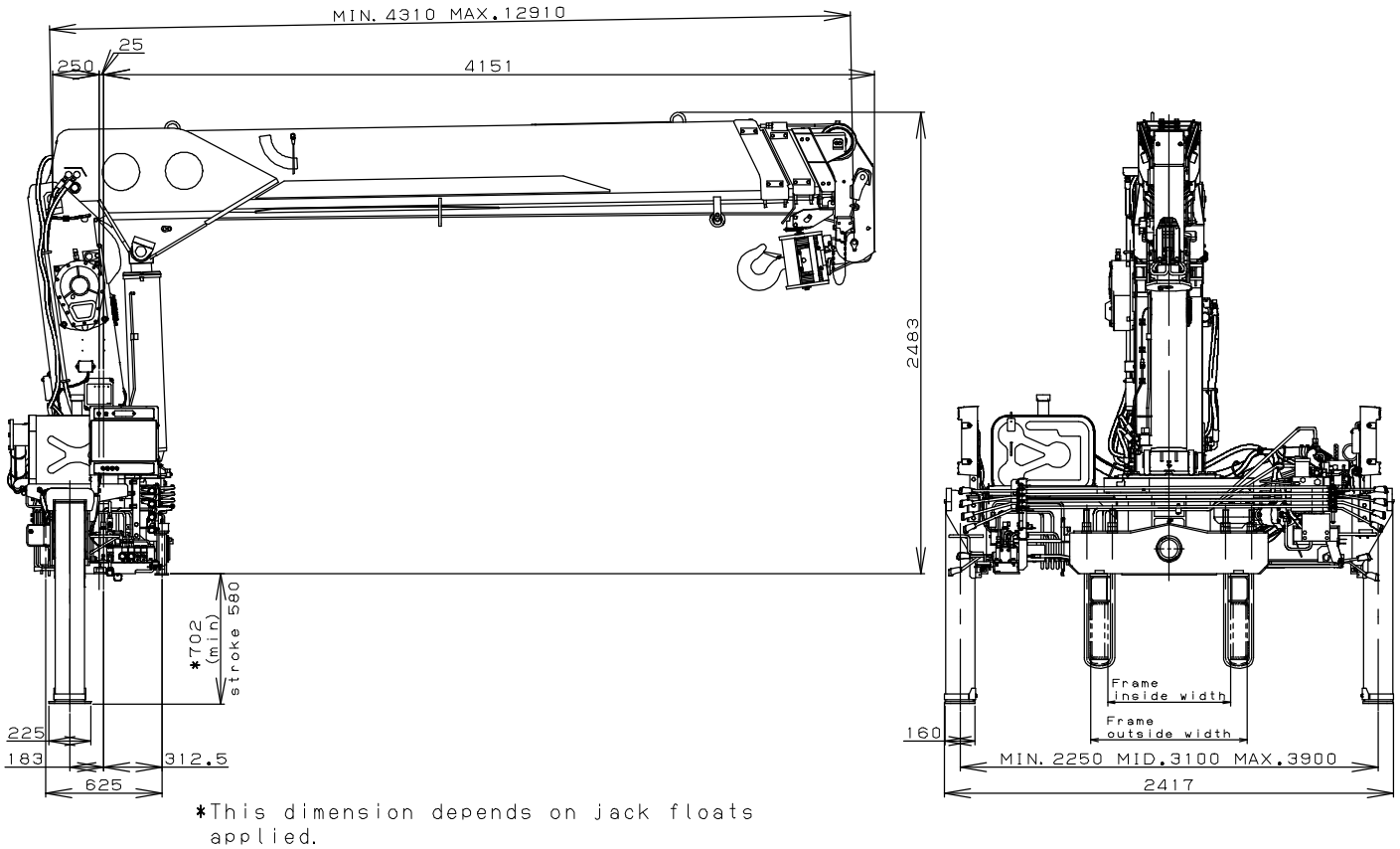


# WORKING RANGE



NOTE: The above lifting heights and boom angles are based on a straight (unladen) boom, and allowance should be made for boom deflection obtained under laden conditions.

## DIMENSIONS



## GENERAL DATA FOR SUITABLE TRUCKS

- Gross vehicle mass (including crane mass) ----- 20,000 to 25,000 kg
  - P.T.O. torque ----- 245 N-m{25 kgf-m} min.
  - P.T.O. revolution ----- Approx. 270 to 2,800 min<sup>-1</sup>{rpm}
  - Width for crane mounting ----- Approx. 1,000 mm min.
  - Frame ----- Weight distribution and frame strength  
should be calculated for each truck
  - Frame width range (inside to outside) ----- Approx. 576 to 953 mm
  - Frame height (ground to frame top) ----- Approx. 1,055 mm max.
- (Height of crane mounting base can be changed  
by combination of jack floats and crane bases)