

TADANO CARGO CRANE

MODEL : **TM-ZR824(S)**

CRANE SPECIFICATIONS

MAXIMUM LIFTING CAPACITY 8,200 kg at 1.8 m (6-part line)

CRANE CAPACITY 4,810 kg at 3.1 m (4-part line)

BOOM Four-sectioned, fully powered partly synchronized telescoping boom

Retracted length ----- 4.31 m

Extended length ----- 12.91m

Extending speed ----- 8.6 m / 23 s

Elevation ----- Elevated by a double-acting hydraulic cylinder

Elevating speed ----- 1° to 82° / 24 s

Boom point ----- 3 sheaves

WINCH Hydraulic motor driven Spur gear speed reduction, provided with mechanical brake

Single line pull ----- 14.72 kN {1,500 kgf}

Single line speed ----- 64 m/min (at 4th layer)

Wire rope

Diameter x length --- 10 mm x 80 m

Breaking strength --- 73.5 kN {7.5 tf}

Construction ----- 7 x 7 + 6 x Fi(29)

Hook block ----- 3 sheaves

SWING Hydraulic motor driven Worm gear speed reduction Continuous
 360° full circle swing on ball bearing slew ring Automatic swing lock
 Swing speed ----- 2.5 min⁻¹ {rpm}

OUTRIGGERS Hydraulically extended sliders and hydraulically extended jacks
 Integral with crane frame Power up and down
 Extended width ----- Min. 2.25 m
 Mid. 3.10 m
 Max. 3.90 m

HYDRAULICS Hydraulic pump ----- Tandem gear pump
 Hydraulic motors ----- Axial piston type for winch
 Axial piston type for swing
 Control valves ----- Multiple control valves with integral
 safety valve
 Oil tank capacity ----- approx. 90 L

SAFETY DEVICES AML (Automatic Moment Limiter)
 Load indication
 Load moment ratio to rated load indication
 Warning alarm
 Over load limiter
 WHL(Working Height Limiter)
 Load indicator
 Over-unwinding prevention
 Terminal for emergency stop switch
 Over-winding alarm
 Hoisting limiter
 P.T.O indicator lamp
 Hook safety latch
 Hydraulic safety valves, check valves and holding valves
 Level Gauge

CRANE MASS Approx. 2,667 kg (crane bare)

NOTE : Operating speeds of the crane are guaranteed under the condition that the pump
 delivery is 85 L/min.

RATED LIFTING CAPACITIES IN KILOGRAMS

Empty Chassis Rated Capacities

Table A

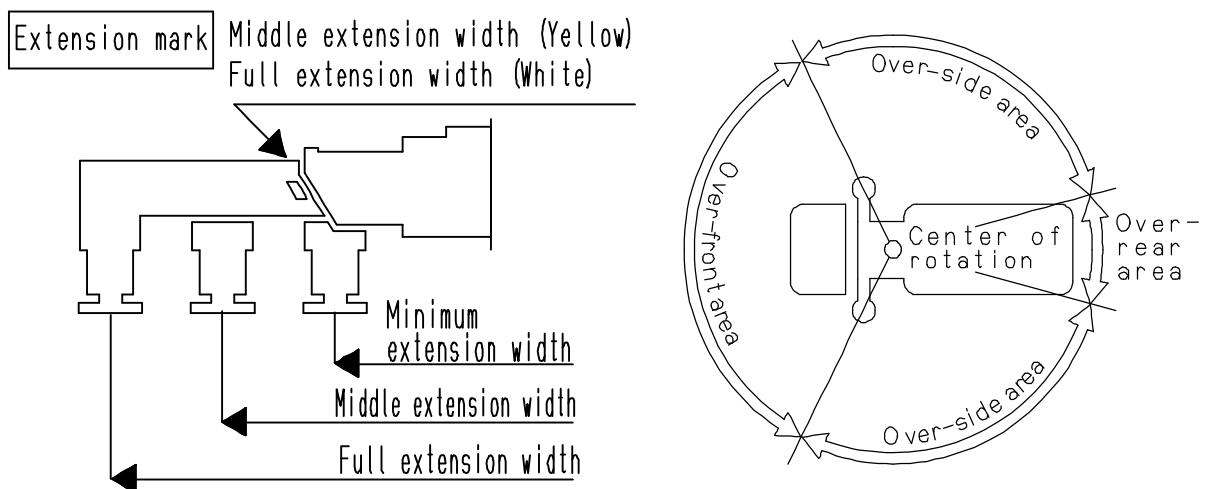
Load Radius	4.31 m Boom		Load Radius	7.19 m Boom		Load Radius	10.05m Boom		Load Radius	12.91m Boom	
	Outriggers Extended			Outriggers Extended			Outriggers Extended			Outriggers Extended	
	Full	Min.		Full	Min.		Full	Min.		Full	Min.
1.8 m and below	8,200	2,910	2.4 m and below	5,970	2,910	2.4 m and below	2,910	2,910	2.4 m and below	2,910	2,910
2.4 m	5,970	2,910	3.1 m	4,810	2,460	3.1 m	2,910	2,460	3.1 m	2,910	2,460
3.1 m	4,810	2,460	3.5 m	4,110	2,010	3.5 m	2,910	2,010	3.5 m	2,910	2,010
3.5 m	4,110	2,010	4.0 m	3,610	1,660	4.1 m	2,910	1,610	4.1 m	2,910	1,610
4.06 m	3,560	1,610	4.5 m	2,610	1,360	5.0 m	2,260	1,160	5.0 m	2,260	1,160
			5.0 m	2,260	1,160	6.0 m	1,710	860	6.0 m	1,710	860
			6.0 m	1,710	860	7.0 m	1,310	660	7.0 m	1,310	660
			6.94 m	1,360	660	8.0 m	1,060	510	8.0 m	1,060	510
						9.0 m	910	410	9.0 m	910	410
						9.8 m	760	360	10.0 m	760	360
									11.0 m	660	310
									12.66 m	510	160

Table D

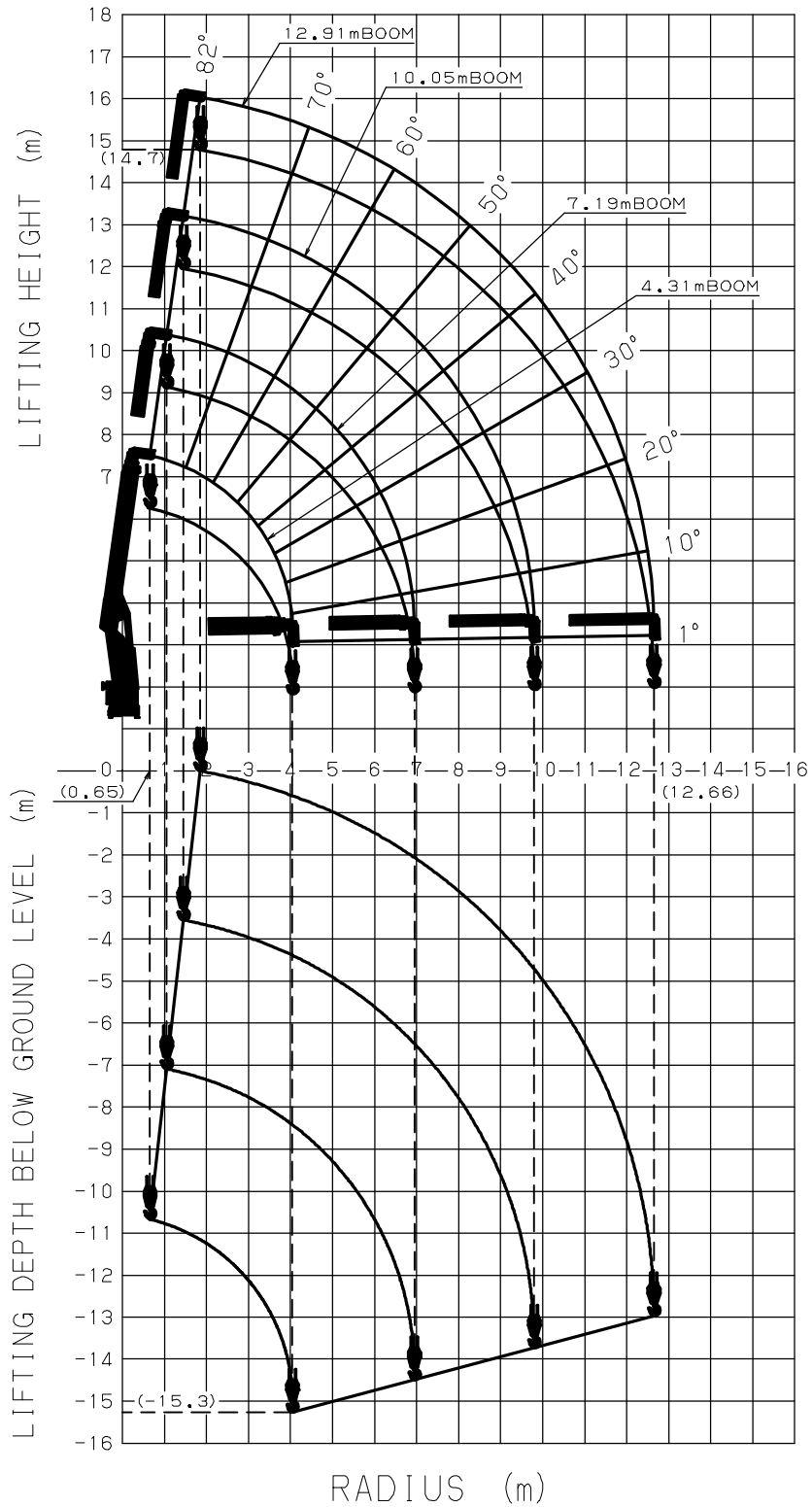
Load Radius	4.31 m Boom		Load Radius	7.19 m Boom		Load Radius	10.05m Boom		Load Radius	12.91m Boom	
	Outriggers Extended			Outriggers Extended			Outriggers Extended			Outriggers Extended	
	Full	Min.		Full	Min.		Full	Min.		Full	Min.
1.8 m and below	8,200	2,910	2.4 m and below	5,970	2,910	2.4 m and below	2,910	2,910	2.4 m and below	2,910	2,910
2.4 m	5,970	2,910	3.1 m	4,810	2,510	3.1 m	2,910	2,510	3.1 m	2,910	2,510
3.1 m	4,810	2,510	3.5 m	4,110	2,060	3.5 m	2,910	2,060	3.5 m	2,910	2,060
3.5 m	4,110	2,060	4.0 m	3,610	1,710	4.1 m	2,910	1,610	4.1 m	2,910	1,610
4.06 m	3,560	1,610	4.5 m	3,210	1,410	4.5 m	2,910	1,410	4.5 m	2,910	1,410
			5.0 m	2,810	1,160	5.0 m	2,810	1,160	5.0 m	2,560	1,160
			6.0 m	2,110	860	6.0 m	2,110	860	6.0 m	2,110	860
			6.94 m	1,710	660	7.0 m	1,710	660	7.0 m	1,710	660
						8.0 m	1,460	510	8.0 m	1,410	510
						9.0 m	1,260	410	9.0 m	1,210	410
						9.8 m	1,110	360	10.0 m	1,010	360
									11.0 m	860	310
									12.66 m	610	160

- NOTES: 1. Empty Chassis Rated Capacities in these tables depend on condition that crane is set level on firm level ground.
2. Capacities in these tables include slings and similarly used load handling devices, and they must be added to the mass of the load. They don't, however, include the mass of hook block (90kg).
3. For boom lengths not shown, use the rated lifting capacity of next longer boom.
4. When outriggers are extended to middle extension width, use the rated lifting capacities for outriggers are extended to minimum extension width.
5. 10.05m boom means \sphericalangle mark on 3rd boom section side plate is half seen.
6. Empty Chassis Rated Capacities table A and D depend on the types of chassis.
7. Empty Chassis Rated Capacities are shown for over - side areas and over-rear area. These capacities for over - front area may lowered depending on the types of chassis.
8. Standard number of part lines for Max lifting load is as shown below.
Load per line must not surpass 14.7kN{1,500kgf}.

Max. lifting load	8,200kg	5,970kg or less
No. of part lines	6	4

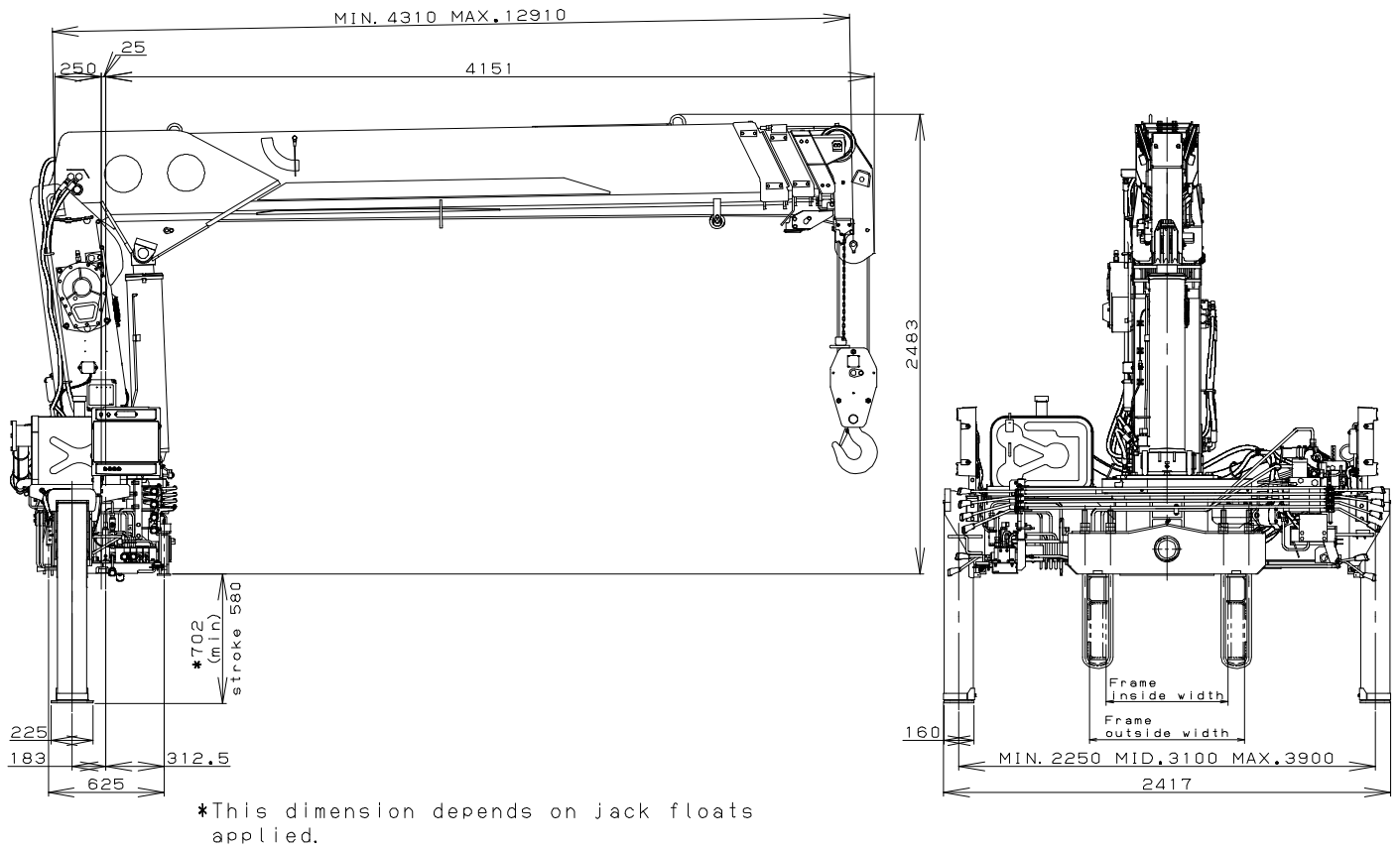


WORKING RANGE



NOTE: The above lifting heights and boom angles are based on a straight (unladen) boom, and allowance should be made for boom deflection obtained under laden conditions.

DIMENSIONS



GENERAL DATA FOR SUITABLE TRUCKS

Gross vehicle mass (including crane mass) -----	20,000 to 25,000 kg
P.T.O. torque -----	255 N-m{26 kgf-m} min.
P.T.O. revolution -----	Approx. 270 to 1,350 min ⁻¹ {rpm}
Width for crane mounting -----	Approx. 1,000 mm min.
Frame -----	Weight distribution and frame strength should be calculated for each truck
Frame width range (inside to outside) -----	Approx. 576 to 953 mm
Frame height (ground to frame top) -----	Approx. 1,055 mm max.
	(Height of crane mounting base can be changed by combination of jack floats and crane bases)