

## TADANO CARGO CRANE

MODEL : **TM-ZE294MH** ----- with hook stowing device

## CRANE SPECIFICATIONS

<u>CRANE CAPACITY</u>	3,030 kg at 1.5 m (4-part lines)
<u>BOOM</u>	Four-sectioned, fully powered partly synchronized telescoping boom of pentagonal box construction Retracted length ----- 3.17 m Extended length ----- 8.9 m Extending speed ----- 5.73 m / 13 s Elevation ----- Elevated by a double-acting hydraulic cylinder Elevating speed ----- 1° to 76° / 6 s Boom point ----- 2 sheaves
<u>WINCH</u>	Hydraulic motor driven    Spur gear speed reduction, provided with mechanical brake Single line pull ----- 7.45 kN {760 kgf} Single line speed ----- 68 m/min.(at 4th layer) Wire rope Diameter x length ---- 8 mm x 56 m Breaking strength ---- 43.1 kN {4.39 tf} Construction ----- 7 x 7 + 6 x WS(26) Hook block -----2 sheaves
<u>HOOK STOWING DEVICE</u>	Mechanically stowed beneath boom top portion



## RATED LIFTING CAPACITIES IN KILOGRAMS

### Crane Strength Rated Capacities

Load Radius	3.17 m / 5.12 m Boom	Load Radius	7.01 m Boom	Load Radius	8.9 m Boom
1.5 m and below	3,030	2.2 m and below	1,880	3.0 m and below	1,030
2.0 m	2,330	2.5 m	1,680	3.5 m	930
2.5 m	1,880	3.0 m	1,430	4.0 m	830
3.0 m	1,500	3.5 m	1,230	5.0 m	680
3.5 m	1,250	4.0 m	1,080	6.0 m	580
4.0 m	1,080	4.5 m	930	7.0 m	480
4.5 m	930	5.0 m	830	8.0 m	400
4.92m	850	5.5 m	730	8.7 m	350
		6.0 m	650		
		6.81m	580		

- NOTES : 1. The mass of hook block (30kg), slings and all similarly used load lifting devices must be added to the mass of the load.
2. The above numerical values of total rated loads are based on crane strength only. The total rated loads based on stability may lower than those in the above table depending on the loading conditions and the types of the chassis.

### Empty Chassis Rated Capacities

Table A

Load Radius	3.17 m / 5.12 m Boom		Load Radius	7.01 m Boom	Load Radius	8.9 m Boom
	Extension width of outriggers			Extension width of outriggers		Extension width of outriggers
	Maximum	Minimum		Maximum		Maximum
1.5 m and below	3,030	1,580	2.2 m and below	1,880	3.0 m and below	980
2.0 m	2,280	980	2.5 m	1,630	3.5 m	830
2.5 m	1,730	680	3.0 m	1,150	4.0 m	680
3.0 m	1,180	480	3.5 m	880	5.0 m	450
3.5 m	880	380	4.0 m	680	6.0 m	350
4.0 m	680	280	4.5 m	580	7.0 m	280
4.5 m	580	250	5.0 m	480	8.0 m	230
4.92m	530	230	5.5 m	400	8.7 m	200
			6.0 m	350		
			6.81 m	300		

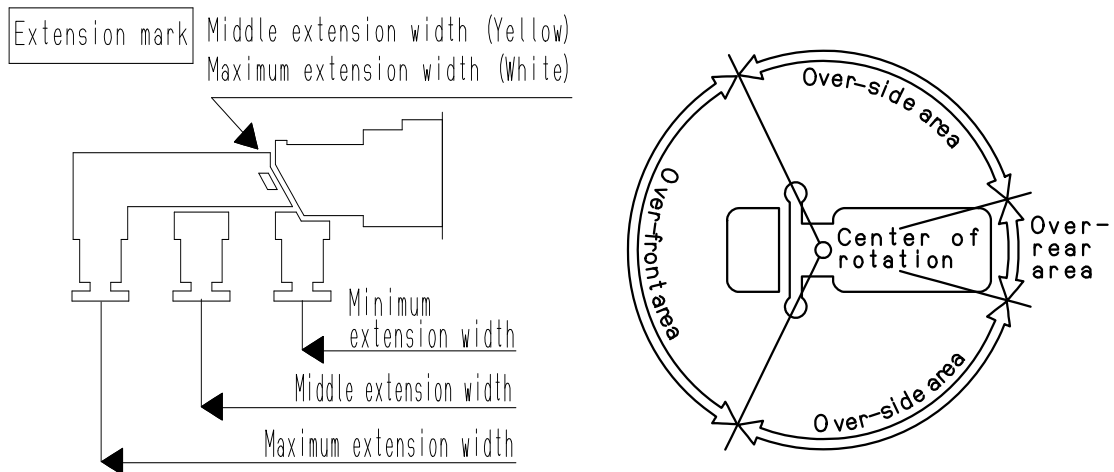
Table C

Load Radius	3.17 m / 5.12 m Boom		Load Radius	7.01 m Boom	Load Radius	8.9 m Boom
	Extension width of outriggers			Extension width of outriggers		Extension width of outriggers
	Maximum	Minimum		Maximum		Maximum
1.5 m and below	3,030	1,580	2.2 m and below	1,880	3.0 m and below	980
2.0 m	2,280	980	2.5 m	1,630	3.5 m	880
2.5 m	1,830	680	3.0 m	1,330	4.0 m	780
3.0 m	1,380	480	3.5 m	1,030	5.0 m	550
3.5 m	1,030	380	4.0 m	800	6.0 m	430
4.0 m	830	280	4.5 m	680	7.0 m	330
4.5 m	680	250	5.0 m	580	8.0 m	280
4.92m	580	230	5.5 m	480	8.7 m	250
			6.0 m	430		
			6.81 m	350		

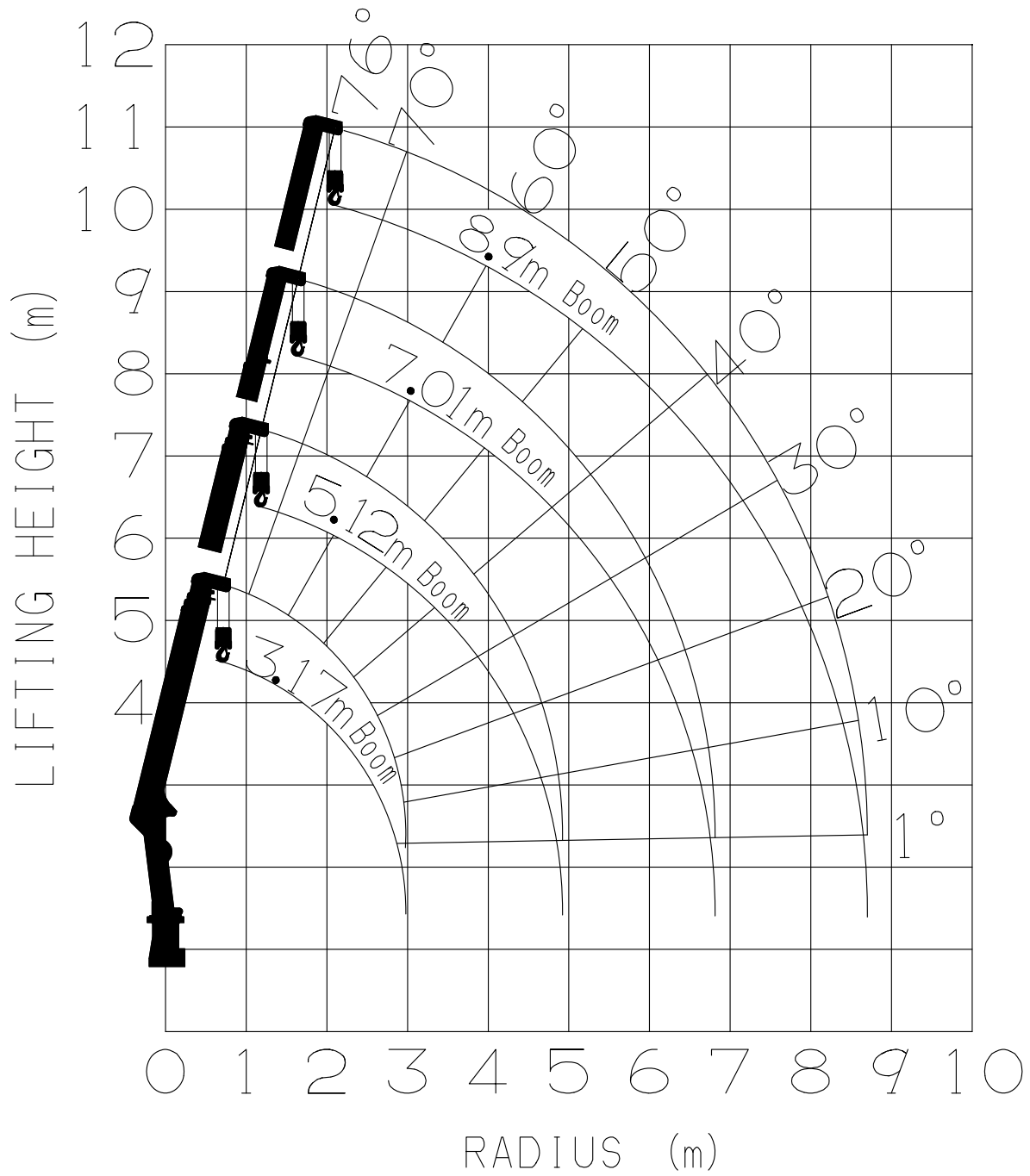
Table D

Load Radius	3.17 m / 5.12 m Boom		Load Radius	7.01 m Boom	Load Radius	8.9 m Boom
	Extension width of outriggers			Extension width of outriggers		Extension width of outriggers
	Maximum	Minimum		Maximum		Maximum
1.5 m and below	3,030	1,580	2.2 m and below	1,880	3.0 m and below	1,030
2.0 m	2,330	980	2.5 m	1,680	3.5 m	930
2.5 m	1,880	680	3.0 m	1,430	4.0 m	830
3.0 m	1,500	480	3.5 m	1,230	5.0 m	680
3.5 m	1,250	380	4.0 m	1,080	6.0 m	580
4.0 m	1,080	280	4.5 m	930	7.0 m	480
4.5 m	930	250	5.0 m	830	8.0 m	400
4.92m	850	230	5.5 m	730	8.7 m	350
			6.0 m	650		
			6.81m	580		

- NOTES :
1. Empty Chassis Rated Capacities in these tables depend on condition that crane is set level on firm level ground.
  2. The mass of hook block (30 kg), slings and all similarly used load lifting devices must be added to the mass of load.
  3. For boom lengths not shown, use the rated lifting capacity of next longer boom.
  4. When outriggers are extended to middle extension width, use the rated lifting capacities for outriggers are extended to minimum extension width .
  5. For boom lengths longer than 5.12m, extend outriggers to maximum extension width.
  6. When the boom length is 7.01 m, a half of the  $\square$  mark on lateral face of the 3rd boom section is exposed out of the 2nd boom section.
  7. Empty Chassis Rated Capacities table A, C and D depend on the types of chassis.
  8. Empty Chassis Rated Capacities are shown for over-side areas and over-rear area. These capacities for over-front area may be lowered depending on the types of chassis.

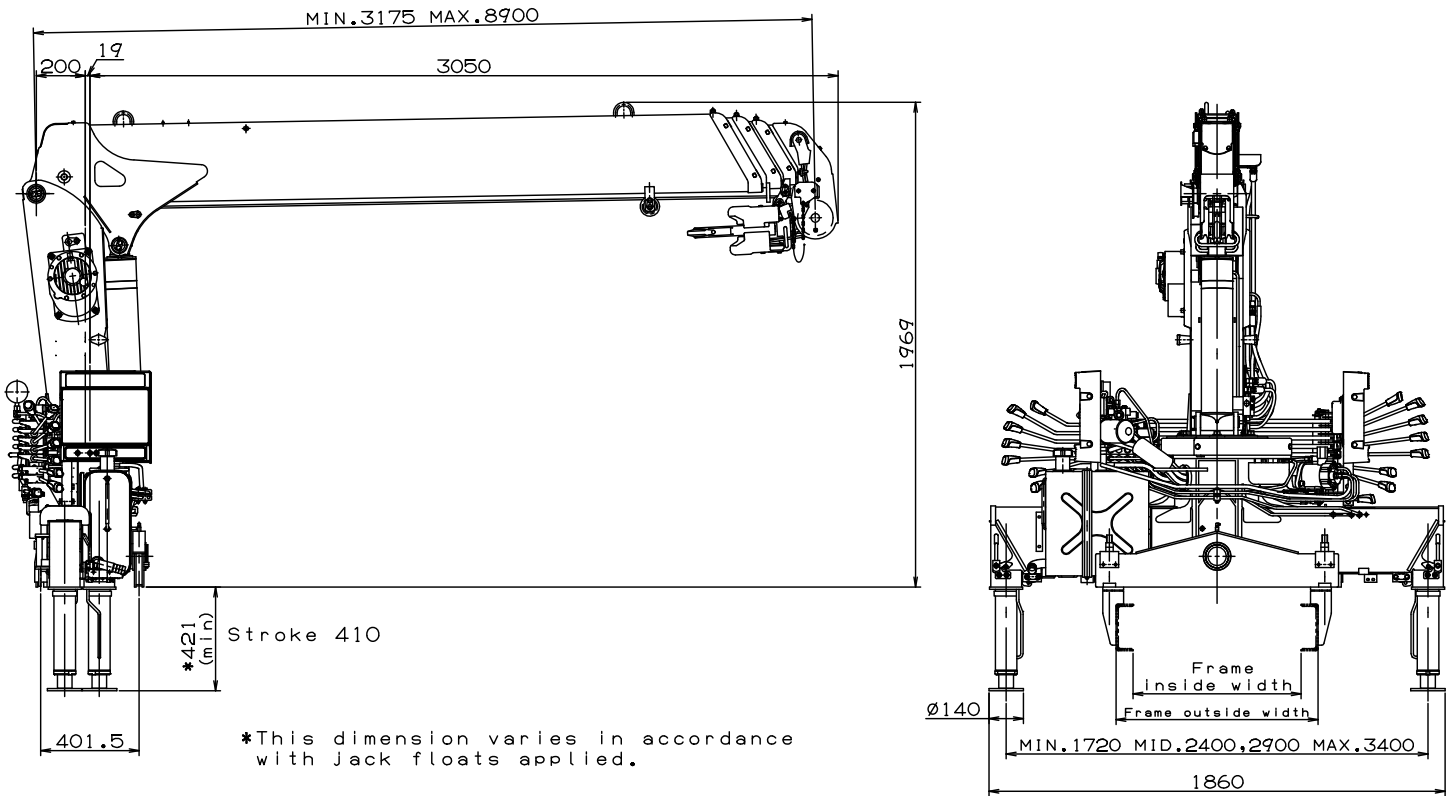


WORKING RANGE



NOTE: The above lifting heights and boom angles are based on a straight (unladen) boom, and allowance should be made for boom deflection obtained under laden conditions.

## DIMENSIONS



## GENERAL DATA FOR SUITABLE TRUCKS

- Gross vehicle mass (including crane mass) ----- 4,500 to 8,000 kg
- P.T.O. torque ----- 140 N-m {14.3 kgf-m} min.
- P.T.O. revolution ----- Approx. 300 to 1,700 min<sup>-1</sup> {rpm}
- Width for crane mounting ----- Approx. 605 mm min.
- Frame ----- Weight distribution and frame strength should be calculated for each truck
- Frame width range (inside to outside) ----- Approx. 680 to 860 mm
- Frame height (ground to frame top) ----- Approx. 1,010 mm max.  
(Height of crane mounting base can be changed by combination of jack floats and crane bases)