

TADANO CARGO CRANE

MODEL : **TM-ZE363HS**

CRANE SPECIFICATIONS

CRANE CAPACITY 3,000 kg at 2.6 m (4-part lines)

BOOM Three-sectioned, fully hydraulic telescoping boom of pentagonal box construction

Retracted length ----- 3.28 m

Extended length ----- 7.71 m

Extending speed ----- 4.43 m / 12 s

Elevation ----- Elevated by a double-acting hydraulic cylinder

Elevating speed ----- 1° to 78° / 7.5 s

Boom point ----- 2 sheaves

WINCH Hydraulic motor driven Spur gear speed reduction, provided with mechanical brake

Single line pull ----- 7.35 kN{750 kgf}

Single line speed ----- 76 m/min (at 4th layer)

Wire rope

Diameter x length ----- 8 mm x 51 m

Breaking strength ----- 43.1 kN{4.39 tf}

Construction ----- 7 x 7 + 6 x WS(26)

Hook block ----- 2 sheaves

HOOK STOWING DEVICE Mechanically stowed beneath boom top portion

SWING

Hydraulic motor driven Worm gear speed reduction
Continuous 360° full circle swing on ball bearing slew ring
Automatic swing lock
Swing speed ----- 2.5 min⁻¹ {rpm}

OUTRIGGERS

Manually extended sliders and hydraulically extended jacks
Integral with crane frame Power up and down
Extension width ----- Min. 2,000 mm
Mid. 2,700 mm, 3,400 mm
Full 4,200 mm

HYDRAULICS

Hydraulic pump ----- Single gear pump
Hydraulic motors ----- Axial piston type for winch
Axial piston type for swing
Control valves ----- Multiple control valves with integral safety
Valve
Oil tank capacity ----- approx. 31 L

SAFETY DEVICES

AML(Automatic Moment Limiter)
Load indication
Load moment ratio to rated load indication
Warning alarm
Over load limiter
WHL(Working Height Limiter)
Load meter
Load indicator
Over-unwinding prevention
Terminal for emergency stop switch
Over-winding alarm
Hoisting limiter
P.T.O indicator lamp
Hook safety latch
Hydraulic safety valves, check valves and holding valves
Level gauge

CRANE MASS

Approx. 1,265 kg (includes standardized mounting parts)

NOTE : Operating speeds of the crane are guaranteed under the condition that the pump delivery is 60 L/min.

RATED LIFTING CAPACITIES IN KILOGRAMS

Crane Strength Rated Capacities

Load Radius	3.28 m / 5.51 m Boom		Load Radius	7.71 m Boom
	Extension width of outriggers			Extension width of outriggers
	Full	Minimum		Full
2.3 m and below	3,000	1,400	2.7 m and below	2,300
2.6 m	3,000	1,120	3.2 m	2,000
3.0 m	2,550	900	3.5 m	1,800
3.5 m	2,150	700	4.0 m	1,600
4.0 m	1,850	550	4.5 m	1,450
4.5 m	1,650	450	5.0 m	1,300
5.0 m	1,450	400	5.5 m	1,200
5.3 m	1,350	350	6.0 m	1,100
			6.5 m	1,020
			7.0 m	950
			7.5 m	900

- NOTES :
1. Capacities in above tables include slings and similarly used load handling devices, and they must be added to the mass of the load. They don't, however, include the mass of hook block (30kg)
 2. The above numerical values of total rated loads are based on crane strength only. The total rated loads based on stability may lower than those in the above table depending on the loading conditions and the types of the chassis.

Empty Chassis Rated Capacities

Table A

Load Radius	3.28 m / 5.51 m Boom		Load Radius	7.71 m Boom
	Extension width of outriggers			Extension width of outriggers
	Full	Minimum		Full
2.3 m and below	3,000	1,300	2.7 m and below	2,300
2.6 m	3,000	1,070	3.2 m	2,000
3.0 m	2,450	850	3.5 m	1,750
3.5 m	1,900	650	4.0 m	1,400
4.0 m	1,450	500	4.5 m	1,150
4.5 m	1,200	400	5.0 m	950
5.0 m	1,000	350	5.5 m	800
5.3 m	950	300	6.0 m	700
			6.5 m	620
			7.0 m	550
			7.5 m	500

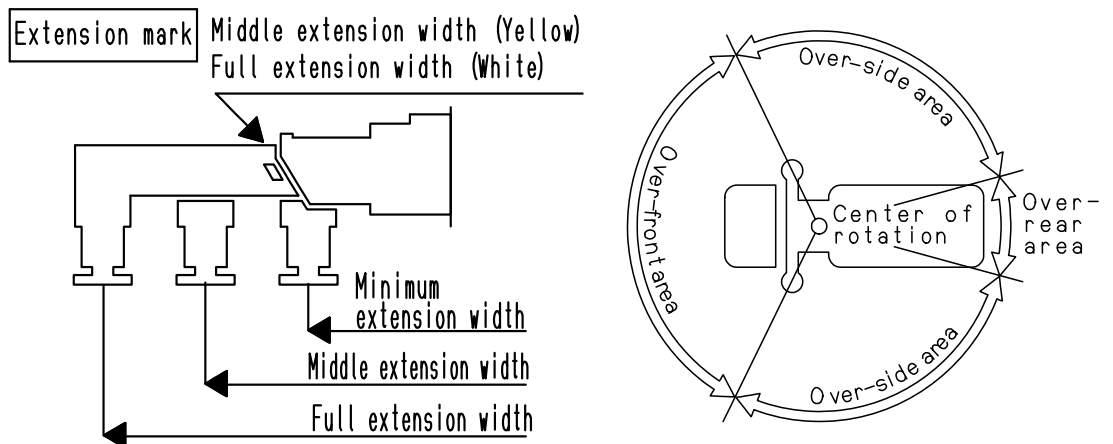
Table C

Load Radius	3.28 m / 5.51 m Boom		Load Radius	7.71 m Boom
	Extension width of outriggers			Extension width of outriggers
	Full	Minimum		Full
2.3 m and below	3,000	1,400	2.7 m and below	2,300
2.6 m	3,000	1,120	3.2 m	2,000
3.0 m	2,450	900	3.5 m	1,750
3.5 m	2,000	700	4.0 m	1,450
4.0 m	1,700	550	4.5 m	1,250
4.5 m	1,400	450	5.0 m	1,100
5.0 m	1,150	400	5.5 m	1,000
5.3 m	1,050	350	6.0 m	850
			6.5 m	750
			7.0 m	670
			7.5 m	620

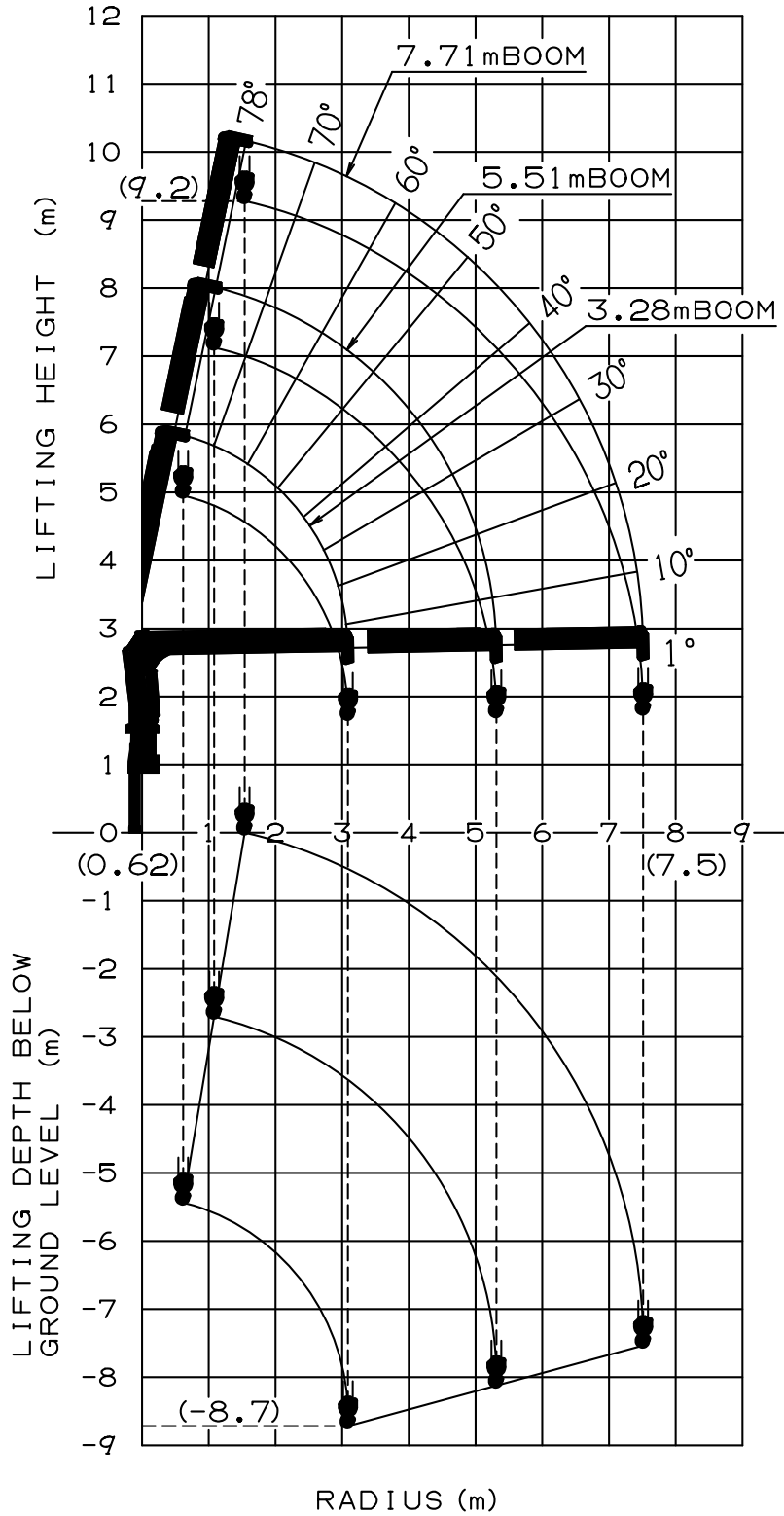
Table D

Load Radius	3.28 m / 5.51 m Boom		Load Radius	7.71 m Boom
	Extension width of outriggers			Extension width of outriggers
	Full	Minimum		Full
2.3 m and below	3,000	1,400	2.7 m and below	2,300
2.6 m	3,000	1,120	3.2 m	2,000
3.0 m	2,550	900	3.5 m	1,800
3.5 m	2,150	700	4.0 m	1,600
4.0 m	1,850	550	4.5 m	1,450
4.5 m	1,650	450	5.0 m	1,300
5.0 m	1,450	400	5.5 m	1,200
5.3 m	1,350	350	6.0 m	1,100
			6.5 m	1,020
			7.0 m	950
			7.5 m	900

- NOTES :
1. Empty Chassis Rated Capacities in these tables depend on condition that crane is set level on firm level ground.
 2. Capacities in these tables include slings and similarly used load handling devices, and they must be added to the mass of the load. They don't, however, include the mass of hook block (30kg).
 3. For boom lengths not shown, use the rated lifting capacity of next longer boom.
 4. When outriggers are extended to middle extension width, use the rated lifting capacities for outriggers are extended to minimum extension width.
 5. For boom lengths longer than 5.51m, extend outriggers to full extension width.
 6. Empty Chassis Rated Capacities table A , C and D depend on the types of chassis.
 7. Empty Chassis Rated Capacities are shown for over-side areas and over-rear area. These capacities for over-front area may lowered depending on the types of chassis.

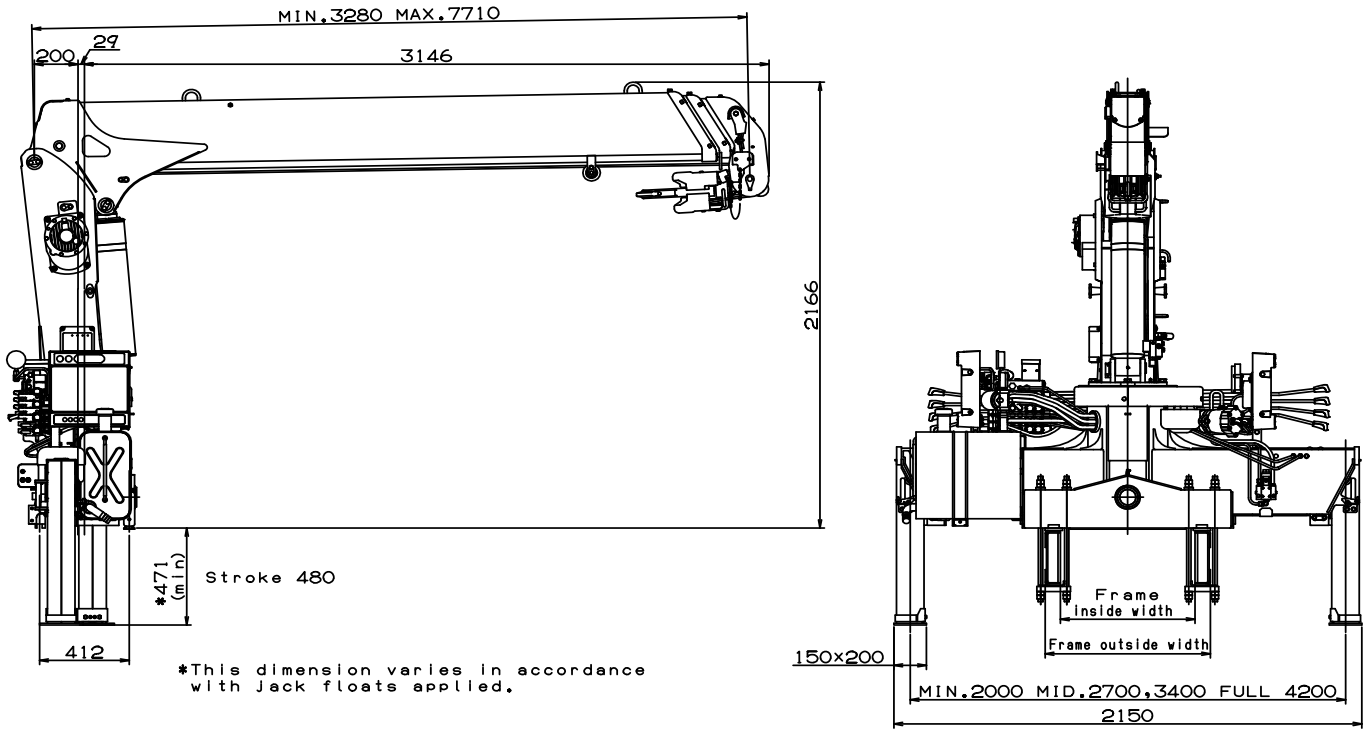


WORKING RANGE



NOTE : The above lifting heights and boom angles are based on a straight (unladen) boom, and allowance should be made for boom deflection obtained under laden conditions.

DIMENSIONS



GENERAL DATA FOR SUITABLE TRUCKS

- Gross vehicle mass (including crane mass) ----- 8,000 to 15,000 kg
- P.T.O. torque -----190 N-m{19.4 kgf-m} min.
- P.T.O. revolution ----- Approx. 300 to 1,900 min⁻¹{rpm}
- Width for crane mounting ----- Approx. 640 mm min.
- Frame ----- Weight distribution and frame strength
should be calculated for each truck
- Frame width range (inside to outside) ----- Approx. 610 to 860 mm
- Frame height (ground to frame top) ----- Approx. 1,070 mm max.
(Height of crane mounting base can be
changed by combination of jack floats and
crane bases)