

TADANO CARGO CRANE

MODEL : **TM-ZE364D****TM-ZE364DH** ----- with hook stowing device

CRANE SPECIFICATIONS

CRANE CAPACITY 2,930 kg at 2.6 m (4-part lines)BOOM Four-sectioned, fully powered partly synchronized telescoping boom of pentagonal box construction

Retracted length ----- 3.34 m

Extended length ----- 10.0 m

Extending speed ----- 6.66 m / 14 s

Elevation ----- Elevated by a double-acting hydraulic cylinder

Elevating speed ----- 1° to 78° / 7.5 s

Boom point ----- 2 sheaves

WINCH Hydraulic motor driven Spur gear speed reduction, provided with mechanical brake

Single line pull ----- 7.20 kN {735 kgf}

Single line speed ----- 76 m/min (at 4th layer)

Wire rope

Diameter x length --- 8 mm x 63 m

Breaking strength --- 43.1 kN {4.39 tf}

Construction ----- 7 x 7 + 6 x WS(26)

Hook block ----- 2 sheaves

HOOK STOWING DEVICE Mechanically stowed beneath boom top portion
[TM-ZE364DH only]

SWING

Hydraulic motor driven Worm gear speed reduction Continuous
360° full circle swing on ball bearing slew ring
Automatic swing lock
Swing speed ----- 2.5 min⁻¹{rpm}

OUTRIGGERS

Manually extended sliders and hydraulically extended jacks
Integral with crane frame Power up and down
Extension width ---- Min. 2,000 mm
Mid. 2,700 mm, 3,400 mm
Full 4,200 mm

HYDRAULICS

Hydraulic pump ----- Single gear pump
Hydraulic motors ----- Axial piston type for winch
Axial piston type for swing
Control valves ----- Multiple control valves with integral safety
valve
Oil tank capacity ----- approx. 31 L

SAFETY DEVICES

Load meter
Load indicator
Over-winding alarm
Hoisting limiter
P.T.O indicator lamp
Hook safety latch
Hydraulic safety valves, check valves and holding valves
Level gauge

CRANE MASS

Approx. 1,350 kg (includes standardized mounting parts)

NOTE : Operating speeds of the crane are guaranteed under the condition that the pump
delivery is 60 L/min.

RATED LIFTING CAPACITIES IN KILOGRAMS

Crane Strength Rated Capacities

Load Radius	3.34 m / 5.57 m Boom		Load Radius	7.78 m Boom	Load Radius	10.0 m Boom
	Extension width of outriggers			Extension width of outriggers		Extension width of outriggers
	Full	Minimum		Full		Full
2.4 m and below	2,930	1,380	2.7 m and below	2,330	4.0 m and below	1,030
2.6m	2,930	1,180	3.2 m	2,030	5.0 m	880
3.0 m	2,480	930	3.5 m	1,830	6.0 m	750
3.5 m	2,080	680	4.0 m	1,630	7.0 m	650
4.0 m	1,780	530	4.5 m	1,480	8.0 m	580
4.5 m	1,580	480	5.0 m	1,330	9.0 m	510
5.0 m	1,380	380	5.5 m	1,230	9.8 m	480
5.37m	1,280	330	6.0 m	1,130		
			6.5 m	1,030		
			7.0 m	950		
			7.58m	880		

- NOTES : 1. The mass of hook block (30kg), slings and all similarly used load handling devices must be added to the mass of the load.
 2. The above numerical values of total rated loads are based on crane strength only. The total rated loads based on stability may lower than those in the above table depending on the loading conditions and the types of the chassis.

Empty Chassis Rated Capacities

Table A

Load Radius	3.34 m / 5.57 m Boom		Load Radius	7.78 m Boom	Load Radius	10.0 m Boom
	Extension width of outriggers			Extension width of outriggers		Extension width of outriggers
	Full	Minimum		Full		Full
2.4 m and below	2,930	1,280	2.7 m and below	2,330	4.0 m and below	1,030
2.6m	2,930	1,080	3.2 m	2,030	5.0 m	830
3.0 m	2,330	830	3.5 m	1,730	6.0 m	730
3.5 m	1,880	630	4.0 m	1,430	7.0 m	550
4.0 m	1,430	530	4.5 m	1,180	8.0 m	450
4.5 m	1,180	430	5.0 m	980	9.0 m	380
5.0 m	980	330	5.5 m	830	9.8 m	350
5.37m	900	330	6.0 m	730		
			6.5 m	650		
			7.0 m	580		
			7.58m	520		

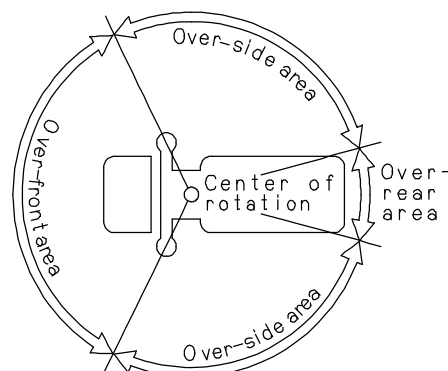
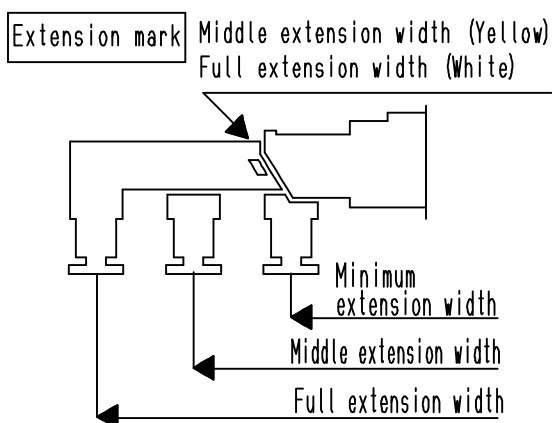
Table C

Load Radius	3.34 m / 5.57 m Boom		Load Radius	7.78 m Boom	Load Radius	10.0 m Boom
	Extension width of outriggers			Extension width of outriggers		Extension width of outriggers
	Full	Minimum		Full		Full
2.4 m and below	2,930	1,380	2.7 m and below	2,330	4.0 m and below	1,030
2.6m	2,930	1,180	3.2 m	2,030	5.0 m	830
3.0 m	2,330	930	3.5 m	1,730	6.0 m	730
3.5 m	1,980	680	4.0 m	1,430	7.0 m	630
4.0 m	1,680	530	4.5 m	1,230	8.0 m	530
4.5 m	1,380	480	5.0 m	1,080	9.0 m	460
5.0 m	1,130	380	5.5 m	980	9.8 m	430
5.37m	1,030	330	6.0 m	830		
			6.5 m	730		
			7.0 m	650		
			7.58m	600		

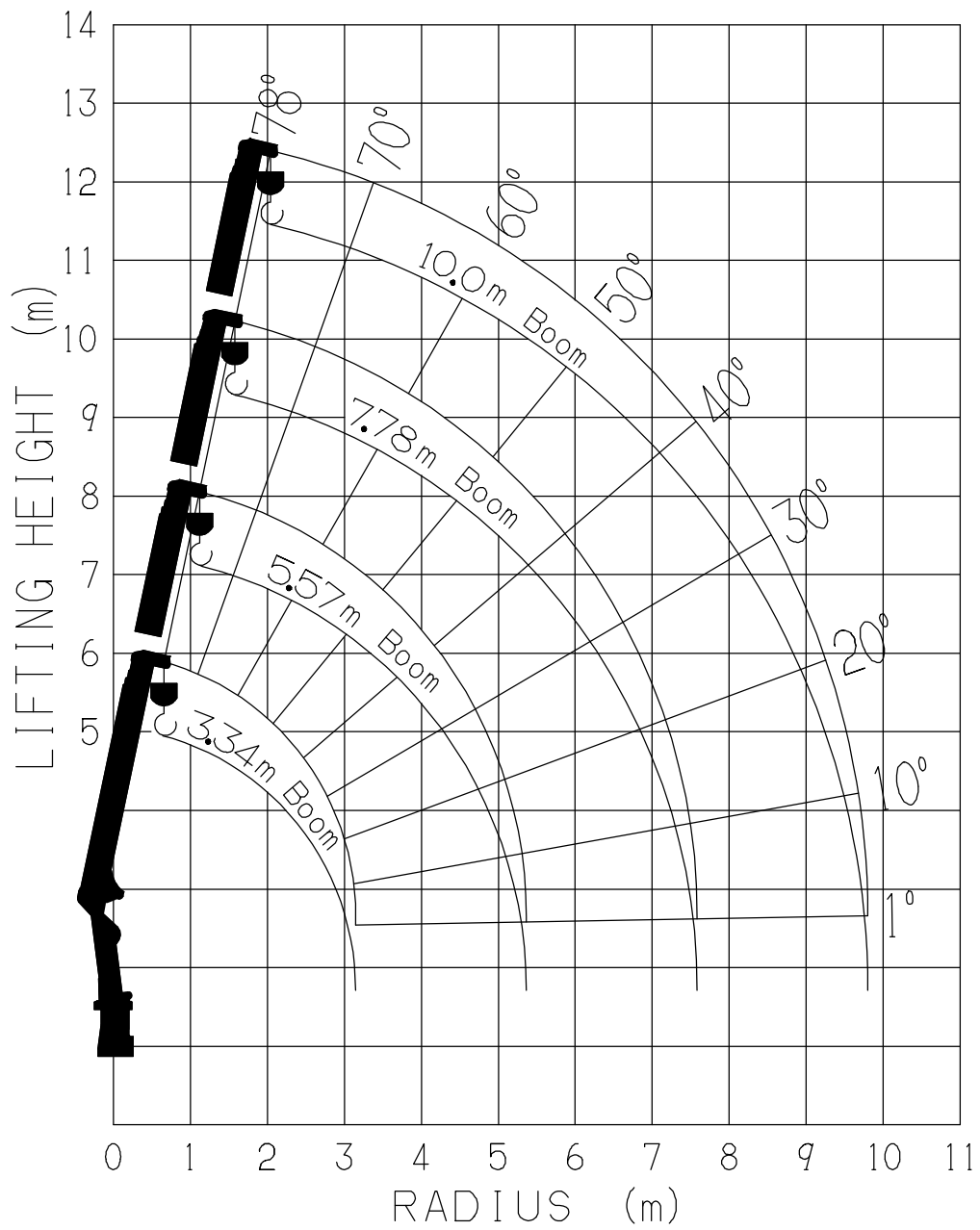
Table D

Load Radius	3.34 m / 5.57 m Boom		Load Radius	7.78 m Boom	Load Radius	10.0 m Boom
	Extension width of outriggers			Extension width of outriggers		Extension width of outriggers
	Full	Minimum		Full		Full
2.4 m and below	2,930	1,380	2.7 m and below	2,330	4.0 m and below	1,030
2.6m	2,930	1,180	3.2 m	2,030	5.0 m	880
3.0 m	2,480	930	3.5 m	1,830	6.0 m	750
3.5 m	2,080	680	4.0 m	1,630	7.0 m	650
4.0 m	1,780	530	4.5 m	1,480	8.0 m	580
4.5 m	1,580	480	5.0 m	1,330	9.0 m	510
5.0 m	1,380	380	5.5 m	1,230	9.8 m	480
5.37m	1,280	330	6.0 m	1,130		
			6.5 m	1,030		
			7.0 m	950		
			7.58m	880		

- NOTES :
1. Empty Chassis Rated Capacities in these tables depend on condition that crane is set level on firm level ground.
 2. The mass of hook block (30 kg), slings and all similarly used load handling devices must be added to the mass of load.
 3. For boom lengths not shown, use the rated lifting capacity of next longer boom.
 4. When outriggers are extended to middle extension width, use the rated lifting capacities for outriggers are extended to minimum extension width .
 5. For boom lengths longer than 5.57m, extend outriggers to full extension width.
 6. When the boom length is 7.78 m, a half of the \square mark on lateral face of the 3rd boom section is exposed out of the 2nd boom section.
 7. Empty Chassis Rated Capacities table A ,C and D depend on the types of chassis.
 8. Empty Chassis Rated Capacities are shown for over-side areas and over-rear area. These capacities for over-front area may lowered depending on the types of chassis.

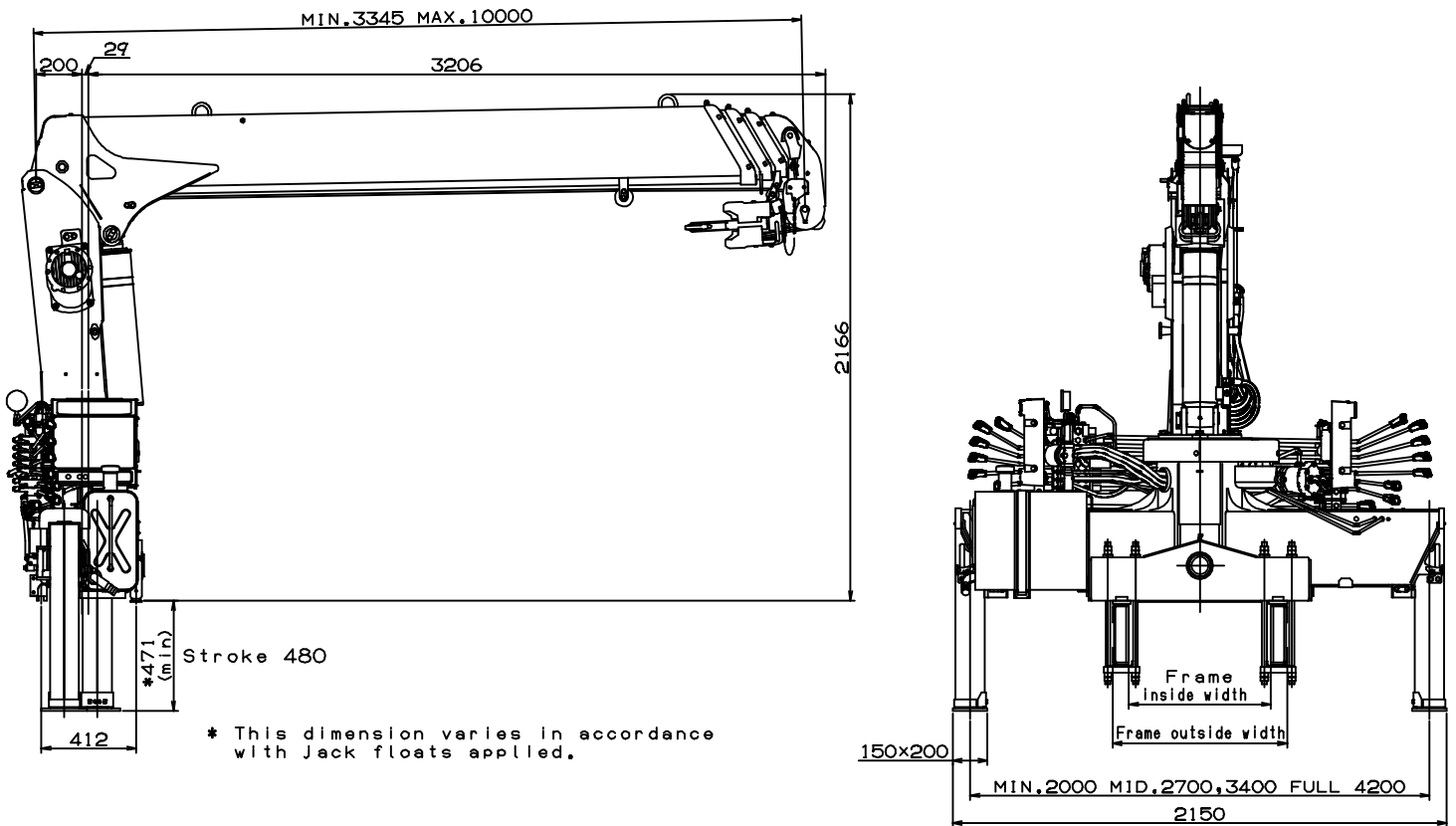


WORKING RANGE



NOTE : The above lifting heights and boom angles are based on a straight (unladen) boom, and allowance should be made for boom deflection obtained under laden conditions.

DIMENSIONS [TM-ZE364DH]



GENERAL DATA FOR SUITABLE TRUCKS

- Gross vehicle mass (including crane mass) ----- 8,000 to 15,000 kg
- P.T.O. torque ----- 190 N-m{19.4 kgf-m} min.
- P.T.O. revolution ----- Approx. 300 to 1,900 min⁻¹{rpm}
- Width for crane mounting ----- Approx. 640 mm min.
- Frame ----- Weight distribution and frame strength should be calculated for each truck
- Frame width range (inside to outside) ----- Approx. 610 to 860 mm
- Frame height (ground to frame top) ----- Approx. 1,070 mm max.
 (Height of crane mounting base can be changed by combination of jack floats and crane bases)