

TADANO CARGO CRANE

MODEL: TM-ZT825H

CRANE SPECIFICATIONS

MAXIMUM LIFTING CAPACITY 8,200 kg at 1.8 m (6-part line)

CRANE CAPACITY 4,900 kg at 3.1 m (4-part line)

BOOM Five-sectioned, fully powered partly synchronized telescoping boom of pentagonal box construction

Retracted length ----- 4.40 m

Extended length----- 15.92 m

Extending speed ----- 11.5 m / 41 s

Elevation ----- Elevated by a double-acting
Hydraulic cylinder

Elevating speed ----- 1° to 82° / 17 s

Boom point ----- 3 sheaves

WINCH Hydraulic motor driven Spur gear speed reduction, provided with mechanical brake and cable follower

Single line pull ----- 14.72 kN {1,500 kgf}

Single line speed ----- 44 m/min (at 4th layer)

Wire rope

Diameter x length ----- 10 mm x 95 m

Breaking strength ----- 73.5 kN {7,500 kgf}

Construction ----- 7 x 7 + 6 x Fi(29)

Hook block ----- 3 sheaves

HOOK STOWING DEVICE Mechanically stowed beneath boom top portion

<u>SLEWING</u>	Hydraulic motor driven Worm gear speed reduction Continuous 360° full circle slewing on ball bearing slew ring Automatic slewing lock Slewing speed ----- 2.2 min ⁻¹ {rpm}
<u>OUTRIGGERS</u>	Manually extended sliders and hydraulically extended jacks Integral with crane frame Power up and down Extended width ----- Min. 2,250 mm Mid. 3,100 mm Max.3,900 mm
<u>HYDRAULICS</u>	Hydraulic pump -----Single gear pump Hydraulic motors ----- Axial piston type for winch Axial piston type for slewing Control valves----- Multiple control valves with integral safety valve Oil tank capacity -----approx. 90 L
<u>SAFETY DEVICES</u>	Load meter Load indicator Over-winding alarm Anti-two-block device Hook safety latch Hydraulic safety valves, check valves and holding valves Level gauge
<u>CRANE MASS</u>	Approx. 2,880 kg (except mounting parts)

NOTE : Operating speeds of the crane are guaranteed under the condition that the pump delivery is 60 L/min.

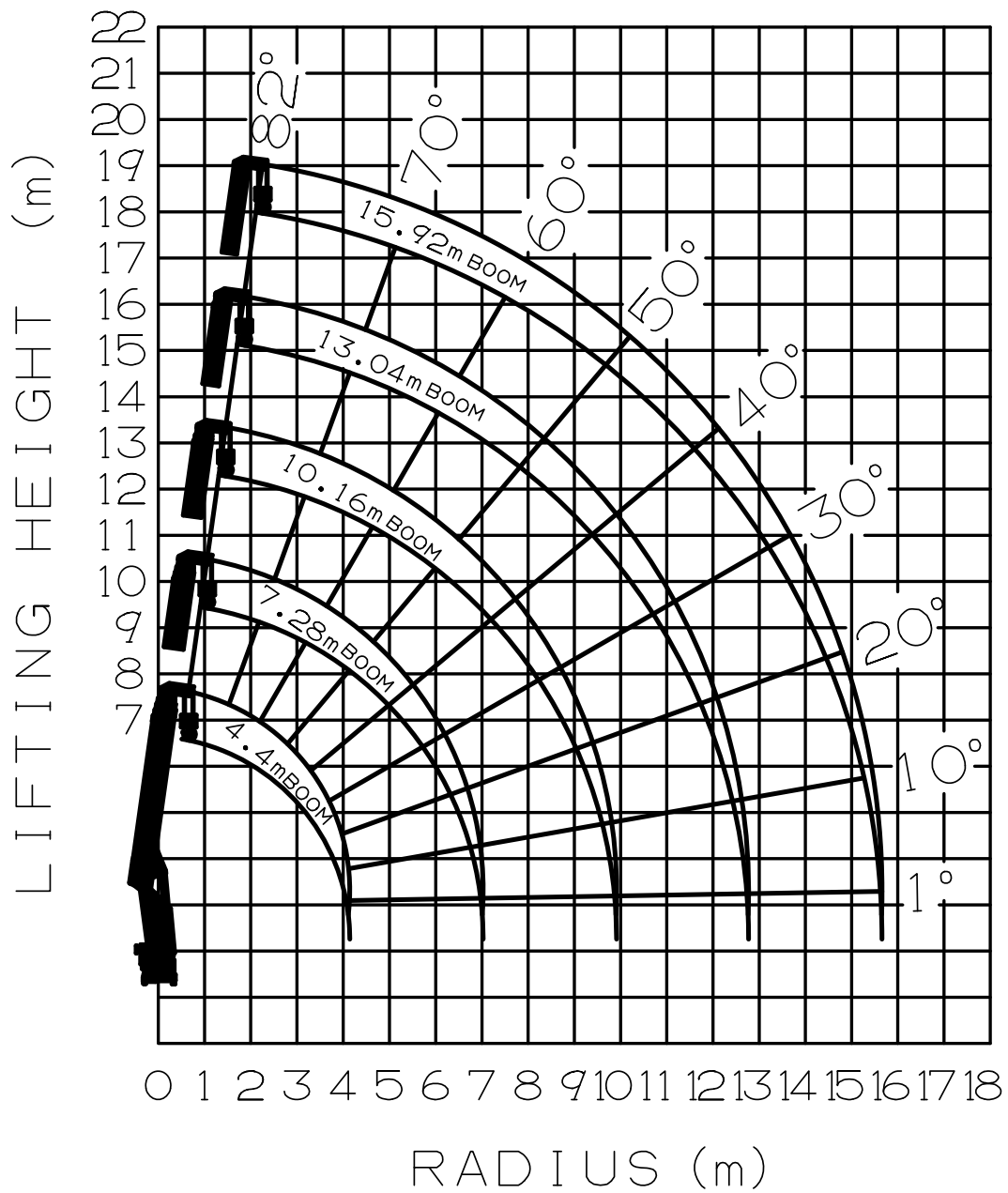
RATED LIFTING CAPACITIES IN KILOGRAMS

Crane Strength Rated Capacities

Load Radius	4.4 m Boom	Load Radius	7.28 m Boom	Load Radius	10.16 m Boom	Load Radius	13.04 m Boom	Load Radius	15.92 m Boom
1.8 m and below	8,200	2.25 m and below	6,000	4.5 m and below	3,000	4.5 m and below	3,000	5.0 m and below	2,600
2.25 m	6,000	3.1 m	4,900	5.0 m	2,700	5.0 m	2,600	6.0 m	2,000
3.1 m	4,900	3.5 m	4,200	6.0 m	2,200	6.0 m	2,000	7.0 m	1,650
3.5 m	4,200	4.0 m	3,700	7.0 m	1,800	7.0 m	1,700	8.0 m	1,400
4.15 m	3,550	4.5 m	3,300	8.0 m	1,400	8.0 m	1,400	9.0 m	1,150
		5.0 m	2,900	9.0 m	1,150	9.0 m	1,150	10.0 m	1,000
		6.0 m	2,200	9.91 m	1,000	10.0 m	1,000	11.0 m	900
		7.03 m	1,750			11.0 m	900	12.0 m	750
						12.0 m	750	13.0 m	650
						12.7 m	650	14.0 m	550
								15.67 m	450

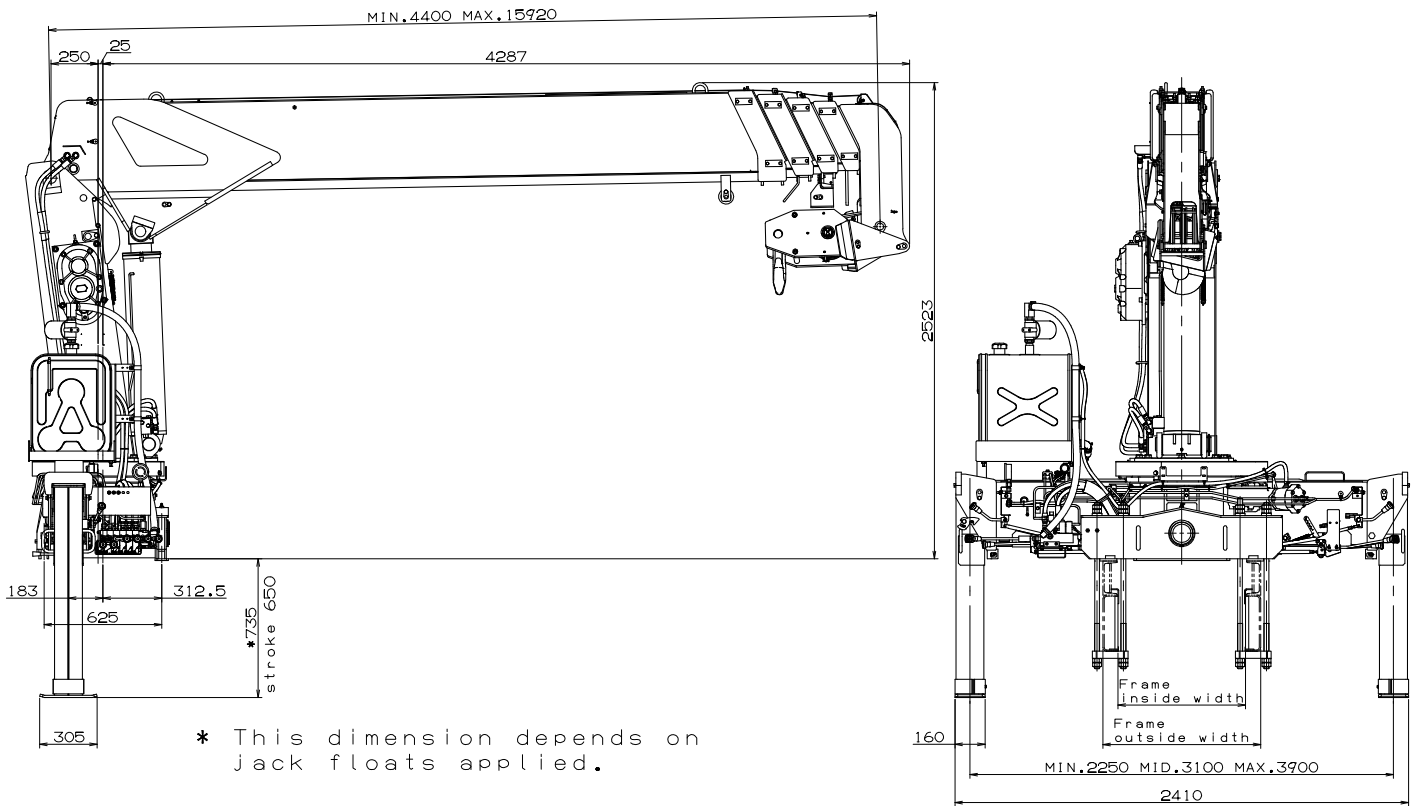
- NOTES :
1. The above numerical values of total rated loads are based on crane strength only. The total rated loads based on stability may lower than those in the above table depending on the loading conditions and the types of the chassis.
 2. Rated Lifting Capacities in these tables depend on condition that crane is set level on firm level ground.
 3. The mass of the hook (90 kg), slings and all similarly used load lifting devices must be added to the mass of the load.
 4. For boom lengths not shown, use the rated lifting capacity of next longer boom.
 5. 13.04m boom means \sphericalangle mark on 4th boom section side plate is half seen.
 6. When the lifting load is heavier than 6,000kg, number of part lines must be 6. In case of 6,000kg or less, number of part lines must be 4. Load per line must not surpass 14.7kN{1,500kgf}.

WORKING RANGE



NOTE: The above lifting heights and boom angles are based on a straight (unladen) boom, and allowance should be made for boom deflection obtained under laden conditions.

DIMENSIONS



GENERAL DATA FOR SUITABLE TRUCKS

- Gross vehicle mass (including crane mass) --- 25,000 kg or more
- P.T.O. torque ----- 180 N-m{18.4 kgf-m} min.
- P.T.O. revolution ----- Approx. 1,200 min⁻¹{rpm} max.
- Width for crane mounting ----- Approx. 900 mm min.
- Frame ----- Weight distribution and frame strength should be calculated for each truck
- Frame width range (inside to outside) ----- Approx. 610 to 910 mm
- Frame height (ground to frame top) ----- Approx. 1,280 mm max.
(Height of crane mounting base can be changed by combination of jack floats and crane bases)