



TADANO ROUGH TERRAIN CRANE
MODEL : GR-600EX
(Left-hand steering)

GENERAL DATA

<u>CRANE CAPACITY</u>		60,000 kg at 3.0 m
<u>BOOM</u>		5-section, 11.0 m — 43.0 m
<u>DIMENSION</u>		
Overall length	approx.	13,380 mm
Overall width	approx.	3,315 mm
Overall height	approx.	3,790 mm
<u>MASS</u>		
Gross vehicle mass	approx.	44,135 kg
-front axle	approx.	21,755 kg
-rear axle	approx.	22,380 kg
<u>PERFORMANCE</u>		
Max. traveling speed	computed	19 km/h
Gradeability (tan θ)	computed	147 % (at stall) *30 %

* Machine should be operated within the limit of engine crankcase design (17° : MITSUBISHI 6M60-TL).

Specifications are subject to change without notice.

CRANE SPECIFICATIONS

<u>MODEL</u>	GR-600EX
<u>CAPACITY</u>	60,000 kg at 3.0 m
<u>BOOM</u>	<p>Five section full power partially synchronized telescoping boom of round box construction with 5 sheaves at boom head. The synchronization system consists of 2 telescope cylinders, extension cables and retraction cables.</p> <p>Hydraulic cylinders fitted with holding valves.</p> <p style="padding-left: 40px;">Fully retracted length. 11.0 m</p> <p style="padding-left: 40px;">Fully extended length. 43.0 m</p> <p style="padding-left: 40px;">Extension speed. 32.0 m in 128 s</p>
<u>JIB</u>	<p>Two staged swingaround boom extension. Triple offset (3.5°/25°/45°) type. Stows alongside base boom section.</p> <p>Assistant cylinders for mounting and stowing.</p> <p>Single sheave at jib head.</p> <p style="padding-left: 40px;">Length. 10.1 m and 17.7 m</p>
<u>SINGLE TOP (AUXILIARY BOOM SHEAVE)</u>	<p>Single sheave.</p> <p>Mounted to main boom head for single line work.</p>
<u>ELEVATION</u>	<p>By a double-acting hydraulic cylinder, fitted with holding valve.</p> <p>Automatic speed reduction and soft stop function.</p> <p style="padding-left: 40px;">Boom angle -1.6° to 80.3°</p> <p style="padding-left: 40px;">Boom raising speed. 20° to 60° in 46 s</p>
<u>HOIST - Main winch</u>	<p>Variable speed type with grooved drum driven by hydraulic axial piston motor through winch speed reducer. Power load lowering and hoisting. Equipped with automatic brake (Neutral brake) and counterbalance valve. Controlled independently of auxiliary winch.</p> <p style="padding-left: 40px;">Single line pull. 54.9 kN {5,600 kgf}</p> <p style="padding-left: 40px;">Single line speed. 136 m/min (at the 4th layer)</p> <p style="padding-left: 40px;">Wire rope. Spin-resistant type</p> <p style="padding-left: 80px;">Diameter x length. 19 mm x 235 m</p>
<u>HOOK BLOCK(Optional) - 60 t capacity</u>	6 sheaves, swivel type hook with safety latch.
<u>HOOK BLOCK(Optional) - 35 t capacity</u>	3 sheaves, swivel type hook with safety latch.

HOIST -Auxiliary winch

Variable speed type with grooved drum driven by hydraulic axial piston motor through winch speed reducer. Power load lowering and hoisting. Equipped with automatic brake (Neutral brake) and counterbalance valve. Controlled independently of main winch.

Single line pull.	54.9 kN {5,600 kgf}
Single line speed.	136 m/min (at the 4 th layer)
Wire rope.	Spin-resistant type
Diameter x length.	19 mm x 133 m

HOOK BLOCK -5.6 t capacity

Swivel hook with safety latch for single line use.

SLEWING

Hydraulic axial piston motor driven through planetary speed reducer. Continuous 360° full circle slew on ball bearing slew ring. Equipped with manually locked/released slewing brake.

Slewing speed. 2.4 min⁻¹ {rpm}

HYDRAULIC SYSTEM

Pumps. 2 variable piston pumps for telescoping, elevating and winches.
Tandem gear pump for steering, slewing and optional equipment.

Control valves. Multiple valves actuated by pilot pressure with integral pressure relief valves.

Circuit. Equipped with air cooled type oil cooler.
Oil pressure appears on AML display for main circuit.

Hydraulic oil tank capacity. . .
approx. 840 liters

Filters. Return line filter

CRANE CONTROL

By 4 control levers for swing, boom hoist, main winch, boom telescoping or auxiliary winch with 2 control pedals for boom hoist and boom telescoping based on ISO standard layout. Control lever stands can change neutral positions and tilt for easy access to cab.

CAB

Both crane and drive operations can be performed from one cab mounted on rotating superstructure. One sided one-man type, steel construction with sliding door access and tinted safety glass windows opening at side. Door window is powered control.
Operator's 3 way adjustable seat with headrest and armrest.
Hot water cab heater and air conditioning.

TADANO Automatic
Moment Limiter
(Model: AML-C)

Main unit in crane cab gives audible and visual warning of approach to overload. Automatically cuts out crane motions before overload. With working range (load radius and / or boom angle and/or tip height and/or slewing range) limit function.
Automatic Speed Reduction and Slow Stop function on boom elevation and slewing.

Following functions are displayed.

- Moment load as percentage
- Number of parts of line of rope
- Boom angle
- Boom length
- Load radius
- Outriggers position
- Actual hook load
- Permissible load
- Boom position indicator
- Potential hook height
- Slewing angle
- Main hydraulic oil pressure
- Jib length and jib offset angle (only when jib operation)

OUTRIGGERS

Hydraulically operated H-type outriggers. Each outrigger controlled simultaneously or independently from the cab.

Equipped with sight level gauge. Floats mounted integrally with the jacks retract to within vehicle width.

All cylinders fitted with pilot check valves.

Crane operation with different extended length of each outrigger.

Equipped with extension width detector for each outrigger.

Extended width

Fully 7,300 mm

Middle 6,700 mm

Middle 5,500 mm

Minimum 2,700 mm

Float size (Diameter). 600 mm

COUNTERWEIGHT

Integral with swing frame (containing weight with auxiliary winch and wire rope)

Mass 5,670 kg

NOTE : Each crane motion speed is based on unladen conditions.

CARRIER SPECIFICATIONS

<u>TYPE</u>	Rear engine, left-hand steering, driving axle 2-way selected type (by manual switch). 4 x 2 front drive 4 x 4 front and rear drive
<u>FRAME</u>	High-tensile steel, all welded mono-box construction.
<u>ENGINE</u>	Model. . . . MITSUBISHI 6M60-TLC1B GB20891-2007 Type. . . . 4 cycle, turbo charged and after cooled, 6 cylinder in line, direct injection, water cooled diesel engine. Piston displacement. . . . 7,545 cm ³ Bore x stroke. 118 mm x 115 mm Max. output. 200 kW at 2,600 min ⁻¹ {rpm} Max. torque. 785 N·m at 1,400 min ⁻¹ {rpm}
<u>TRANSMISSION</u>	Electronically controlled full automatic transmission. Torque converter driving full powershift with driving axle selector. 6 forward and 2 reverse speeds. 3 speeds - High range - 2 wheel drive ; 4 wheel drive 3 speeds - Low range - 4 wheel drive
<u>AXLES</u>	Front. . . . Full floating type, steering and driving axle with planetary reduction. Rear. . . . Full floating type, steering and driving axle with planetary reduction. Non-spin differential.
<u>STEERING</u>	Hydraulic power steering controlled by steering wheel. Four steering modes available: 2-wheel front 2-wheel rear 4-wheel coordinated 4-wheel crab
<u>SUSPENSION</u>	Front. . . . Rigid mounted to the frame. Rear. . . . Pivot mounted with hydraulic lockout cylinders.
<u>BRAKE SYSTEM</u>	Service. . . Air over hydraulic disc brakes on all 4 wheels. Parking / Emergency. . . Spring applied-air released brake acting on input shaft of front axle. Auxiliary. . . Electro-pneumatic operated exhaust brake.
<u>ELECTRIC SYSTEM</u>	24 V DC. 2 batteries of 12 V - 120 Ah capacity.
<u>FUEL TANK CAPACITY</u>	300 liters
<u>TIRES</u>	Front..... 29.5R25, Single x 2 Rear..... 29.5R25, Single x 2
<u>TURN RADIUS</u>	Min. turning radius (at center of extreme outer tire) 2-wheel steering. 11.9 m 4-wheel steering. 6.8 m

EQUIPMENT

STANDARD EQUIPMENT

Pendant type over-winding cutout
 External lamp (AML)
 Winch drum mirror
 Slewing lock
 Winch automatic fail-safe brake
 Winch drum rotation indicator (Audible and Visual type)
 Hook safety latch
 Pilot check valves
 Holding valves
 Counterbalance valves
 Hydraulic pressure relief valves
 Slewing brake
 Positive control
 Hydraulic oil cooler
 Hot water cab heater, air conditioner and defroster
 Electric windshield wiper and washer
 Roof window wiper and washer
 Power window (Cab door)
 Tachometer/Speedometer
 3 way adjustable cloth seat with seat belt, headrest and armrest
 Cab floor mat
 Sun visor (Front and roof)
 Tilt-telescope steering wheel
 Boom elevation foot pedal
 Boom telescoping foot pedal
 Parking braked travel warning
 Automatic moment limiter (AML)
 Boom angle indicator
 Outrigger extension width detector
 Sight level gauge
 Automatic drive system
 Transmission neutral position engine start
 Overshift prevention
 Back-up alarm
 Air cleaner dust indicator
 Air dryer
 Water separator with filter
 Hydraulic lockout suspension
 Non-spin differential (Rear)
 Towing eyes - front and rear
 Engine over-run alarm
 Fuel consumption monitor
 Eco mode system

OPTIONAL EQUIPMENT

Over-unwinding prevention
 Outrigger control box(Both side of carrier)
 Cable follower
 Emergency steering
 Red warning lamp (Top boom)
 Radiator cover
 Tire inflation kit
 Hook block - 60t capacity (6 sheaves, swivel type with safety latch.
 Mass : approx. 540 kg)
 Hook block -35t capacity (3 sheaves, swivel type with safety latch.
 Mass : 450 kg)

HOISTING PERFORMANCE

Main or auxiliary hoist 0.362 m drum 19 mm wire rope		
Layer	Line pulls	drum grooved lagging
	Available ¹	Total wire rope
	N(kgf)	Meters
1st	67,400(6,880)	37.6
2nd	61,800(6,310)	78.3
3rd	57,000(5,820)	122.0
4th	53,000(5,410)	168.8
5th	49,500(5,050)	218.6
6th	46,400(4,730)	271.6
7th ²	43,700(4,460)	327.5

Maximum permissible line pull wire strength 54,900N(5,600 kg) with 6×31 class wire rope.

¹Developed by machinery with each layer of wire rope, but not based on rope strength or other limitation in machinery or equipment.

²Seventh layer of wire rope are not recommended for hoisting operations.

RATED LIFTING CAPACITIES ISO 4305

ON OUTRIGGERS FULLY EXTENDED 7.3 m SPREAD																				
360° ROTATION (Unit: x 1,000 kg)																				
B	A 11.0 m		15.0 m		19.0 m			27.0 m			35.0 m			39.0 m		43.0 m				
	C	C	C	C	C	C	C	C	C	C	C	C	C	C	C	C				
3.0	68	60.0	74	40.8	78	32.0	78	22.0												
3.5	65	54.9	72	40.8	76	32.0	76	22.0												
4.0	62	53.8	70	40.8	75	32.0	75	22.0												
4.5	59	47.7	68	40.8	73	32.0	73	22.0	78	22.0	78	17.0								
5.0	56	42.8	66	40.8	72	32.0	72	22.0	77	21.3	77	17.0								
5.5	52	38.7	64	37.5	70	32.0	70	22.0	76	20.3	76	17.0								
6.0	48	35.3	61	34.6	68	31.9	68	22.0	75	19.4	75	17.0								
6.5	44	32.4	59	32.0	67	30.3	67	22.0	74	18.6	74	16.2	79	14.0	79	12.0				
7.0	39	29.9	57	29.6	65	28.8	65	22.0	73	17.8	73	15.6	78	13.5	78	11.7				
7.5	34	27.7	54	27.4	64	25.8	63	22.0	72	17.7	72	14.9	77	13.0	77	11.3				
8.0	28	25.7	52	24.9	62	23.2	61	22.0	71	17.6	71	14.4	76	12.6	76	10.9	78	10.0		
8.5	20	22.6	49	22.0	60	21.0	60	22.0	70	17.5	70	13.9	75	12.2	76	10.5	77	10.0		
9.0			47	19.5	58	19.1	58	21.7	68	17.4	69	13.4	75	11.9	75	10.2	76	10.0	80	9.0
10.0			40	15.8	54	15.3	54	17.8	66	15.7	66	12.4	73	11.8	73	9.5	75	9.6	78	8.7
11.0			34	13.0	50	12.6	50	15.0	64	13.6	64	11.5	71	11.6	71	8.9	73	9.1	77	8.3
12.0			25	10.9	46	10.5	46	12.8	62	11.6	62	10.6	69	11.4	70	8.5	72	8.6	75	7.9
14.0					36	7.6	36	9.7	56	8.6	56	9.3	66	9.1	66	7.7	69	7.9	72	7.4
16.0					22	5.5	21	7.5	51	6.5	51	7.9	62	7.0	62	6.7	66	7.4	71	7.3
18.0									45	5.0	45	6.4	58	5.5	58	5.9	62	6.1	66	5.7
20.0									39	3.9	38	5.2	54	4.4	54	5.2	59	4.9	63	4.6
22.0									30	3.1	29	4.3	50	3.5	50	4.5	55	4.1	60	3.7
24.0									17	2.4	17	3.6	45	2.8	46	3.7	51	3.3	56	3.0
26.0													40	2.2	40	3.2	47	2.8	53	2.4
28.0													34	1.7	34	2.7	43	2.3	49	1.9
30.0													27	1.3	27	2.3	38	1.9	45	1.5
32.0													16	1.0	16	1.9	32	1.5	41	1.2
34.0																	25	1.2	36	0.9
36.0																	14	1.0		
D	0																		27	
Telescoping conditions (%)																				
Telescoping mode	I, II		I		I			II			I			II		II		I, II		
2nd boom	0		50		100			0			100			0		50		100		
3rd boom	0		0		0			33			33			66		66		100		
4th boom	0		0		0			33			33			66		66		100		
Top boom	0		0		0			33			33			66		66		100		

LIFTING CAPACITIES AT ZERO DEGREE BOOM ANGLE ON OUTRIGGERS FULLY EXTENDED																				
7.3 m SPREAD 360° ROTATION																				
C	A 11.0 m		15.0 m		19.0 m			27.0 m			35.0 m			39.0 m						
	B	B	B	B	B	B	B	B	B	B	B	B	B	B						
0°	8.8	13.6	12.9	7.5	16.9	4.8	16.8	6.2	24.9	2.1	24.6	3.4	32.9	0.9	32.7	1.7	36.3	0.8		
Telescoping mode	I, II		I		I			II			I			II		II				

A : Boom length(m)

B : Load radius(m)

C : Loaded boom angle (°)

D : Minimum boom angle (°) for indicated length (no load)

RATED LIFTING CAPACITIES

ISO 4305

ON OUTRIGGERS FULLY EXTENDED 7.3 m SPREAD 360° ROTATION													
C	43.0 m Boom + 10.1 m Jib						43.0 m Boom + 17.7 m Jib						
	3.5° Tilt		25° Tilt		45° Tilt		3.5° Tilt		25° Tilt		45° Tilt		
	R	W	R	W	R	W	R	W	R	W	R	W	
80	10.1	4.2	13.4	3.5	15.7	2.9	80	11.6	2.6	17.5	2.1	21.7	1.7
79	11.0	4.2	14.4	3.3	16.6	2.9	79	12.9	2.6	18.5	2.0	22.6	1.7
78	12.2	4.2	15.2	3.2	17.5	2.8	78	13.9	2.6	19.8	2.0	23.6	1.6
77	13.1	4.1	16.3	3.1	18.3	2.7	77	15.0	2.6	20.6	1.9	24.5	1.6
76	14.0	3.9	17.1	3.0	19.2	2.7	76	16.2	2.5	21.7	1.9	25.4	1.6
75	14.9	3.8	18.1	3.0	20.1	2.6	75	17.3	2.4	22.8	1.8	26.3	1.5
73	16.8	3.5	20.0	2.8	21.7	2.5	73	19.4	2.3	24.7	1.7	28.0	1.5
70	19.5	3.2	22.6	2.6	24.1	2.3	70	22.7	2.1	27.7	1.6	30.5	1.4
68	21.3	3.0	24.2	2.5	25.7	2.3	68	24.5	2.0	29.4	1.5	32.0	1.3
65	23.9	2.8	26.6	2.3	27.9	2.2	65	27.6	1.8	32.2	1.4	34.4	1.3
63	25.5	2.7	28.2	2.3	29.4	2.1	63	29.3	1.7	33.8	1.4	35.8	1.2
60	27.8	2.2	30.3	1.9	31.3	1.8	60	32.2	1.4	36.4	1.2	37.9	1.0
58	29.3	1.9	31.6	1.6	32.6	1.5	58	33.8	1.2	37.7	0.9		
55	31.2	1.4	33.6	1.3	34.4	1.2							
53	32.6	1.2	34.9	1.1	35.5	1.0							
50	34.5	0.9											

ON OUTRIGGERS FULLY EXTENDED 7.3 m SPREAD 360° ROTATION													
C	39.0 m Boom(telescoping mode II) + 10.1 m Jib						39.0 m Boom(telescoping mode II) + 17.7 m Jib						
	3.5° Tilt		25° Tilt		45° Tilt		3.5° Tilt		25° Tilt		45° Tilt		
	R	W	R	W	R	W	R	W	R	W	R	W	
80	9.5	4.6	13.1	3.8	15.5	3.2	80	10.9	2.8	17.2	2.3	21.1	1.8
79	10.5	4.6	13.9	3.6	16.2	3.1	79	12.0	2.8	18.2	2.2	21.9	1.8
78	11.4	4.6	14.8	3.5	17.1	3.0	78	13.1	2.8	19.0	2.1	22.8	1.7
77	12.5	4.5	15.8	3.4	17.9	2.9	77	14.4	2.8	20.0	2.1	23.7	1.7
76	13.3	4.4	16.6	3.3	18.6	2.9	76	15.3	2.7	20.9	2.0	24.4	1.7
75	14.2	4.2	17.4	3.2	19.5	2.8	75	16.4	2.7	21.9	1.9	25.4	1.6
73	15.9	3.9	19.1	3.1	21.0	2.7	73	18.3	2.5	23.7	1.8	26.9	1.6
70	18.4	3.6	21.5	2.8	23.2	2.5	70	21.3	2.3	26.3	1.7	29.2	1.5
68	20.1	3.4	23.0	2.7	24.7	2.4	68	23.1	2.2	28.1	1.6	30.7	1.4
65	22.5	3.1	25.3	2.6	26.5	2.3	65	26.0	2.0	30.7	1.5	32.9	1.4
63	24.0	3.0	26.7	2.5	27.9	2.3	63	27.8	1.9	32.4	1.5	34.4	1.3
60	26.3	2.8	28.6	2.3	29.6	2.2	60	30.1	1.8	34.4	1.4	36.3	1.3
58	27.8	2.7	30.2	2.3	31.1	2.1	58	32.1	1.7	36.2	1.4	37.6	1.3
55	29.8	2.3	32.0	2.0	32.8	1.9	55	34.4	1.5	38.3	1.3	39.7	1.2
53	31.0	2.0	33.1	1.8	33.8	1.7	53	35.8	1.3	39.6	1.1	40.6	1.0
50	32.8	1.7	34.8	1.5	35.3	1.5	50	37.9	1.1	41.4	0.9		
48	33.9	1.5	35.8	1.4	36.2	1.3	48	39.2	0.9				
45	35.6	1.2	37.0	1.1	37.6	1.1							
43	36.7	1.1	38.2	1.0									
40	38.1	0.9											

ON OUTRIGGERS FULLY EXTENDED 7.3 m SPREAD 360° ROTATION													
C	35 m Boom(telescoping mode I) + 10.1 m Jib						35 m Boom(telescoping mode I) + 17.7 m Jib						
	3.5° Tilt		25° Tilt		45° Tilt		3.5° Tilt		25° Tilt		45° Tilt		
	R	W	R	W	R	W	R	W	R	W	R	W	
80	8.1	5.6	11.7	4.5	14.0	3.7	80	9.6	3.2	15.8	2.6	20.1	2.1
79	9.1	5.6	12.4	4.4	14.7	3.6	79	10.5	3.2	16.7	2.6	20.8	1.9
78	9.9	5.6	13.2	4.3	15.3	3.6	78	11.5	3.2	17.6	2.5	21.6	1.9
77	10.7	5.6	14.0	4.2	16.1	3.5	77	12.5	3.2	18.3	2.4	22.4	1.9
76	11.5	5.5	14.8	4.0	16.8	3.4	76	13.5	3.2	19.4	2.4	23.2	1.9
75	12.4	5.3	15.5	3.9	17.5	3.4	75	14.4	3.2	20.1	2.3	24.0	1.9
73	13.9	5.0	16.9	3.7	18.9	3.2	73	16.3	3.1	21.9	2.2	25.5	1.9
70	16.2	4.6	19.1	3.5	20.8	3.1	70	19.0	2.9	24.5	2.1	27.7	1.8
68	17.8	4.3	20.6	3.4	22.1	3.0	68	20.7	2.7	26.0	2.0	29.1	1.7
65	19.9	4.0	22.6	3.2	24.0	2.9	65	23.2	2.5	28.3	1.9	31.1	1.7
63	21.3	3.8	24.0	3.1	25.2	2.8	63	24.9	2.4	29.8	1.8	32.3	1.6
60	23.4	3.6	25.8	2.9	26.9	2.7	60	27.3	2.2	31.8	1.7	34.2	1.6
58	24.6	3.2	27.8	2.8	28.1	2.6	58	28.9	2.1	33.3	1.7	35.4	1.5
55	26.4	2.6	28.7	2.3	29.6	2.2	55	30.9	1.8	35.1	1.5	37.0	1.3
53	27.5	2.3	29.7	2.1	30.5	1.9	53	32.5	1.5	36.4	1.3	38.0	1.2
50	29.3	1.9	31.4	1.7	32.0	1.6	50	34.7	1.2	38.2	1.0	39.5	0.9
48	30.4	1.7	32.3	1.5	32.8	1.5	48	36.0	1.0	39.2	0.9		
45	32.0	1.4	33.7	1.3	34.1	1.2							
43	33.0	1.2	34.6	1.1									
40	34.5	1.0	35.9	0.9									
38	35.3	0.9											

C :boom angle (°)
R :Load radius(m)
W :Rated lifting capacity(Unit: × 1,000kg)

RATED LIFTING CAPACITIES ISO 4305

ON OUTRIGGERS FULLY EXTENDED 7.3 m SPREAD																				
360° ROTATION (Unit: x 1,000 kg)																				
B	A 11.0 m		15.0 m		19.0 m				27.0 m				35.0 m				39.0 m		43.0 m	
	C	C	C	C	C	C	C	C	C	C	C	C	C	C	C	C	C	C		
3.0	68	59.6	75	40.8	78	32.0	78	22.0												
3.5	65	53.3	72	40.8	76	32.0	76	22.0												
4.0	62	48.0	70	40.8	75	32.0	75	22.0												
4.5	59	43.5	68	40.8	73	32.0	73	22.0	78	22.0	79	17.0								
5.0	56	39.7	66	39.5	71	32.0	71	22.0	77	21.3	77	17.0								
5.5	52	36.4	64	36.2	70	32.0	70	22.0	76	20.3	77	17.0								
6.0	48	33.5	62	33.3	68	31.8	68	22.0	75	19.4	75	17.0								
6.5	44	31.0	59	30.8	67	27.9	66	22.0	74	18.6	74	16.2	79	14.0	79	12.0				
7.0	40	28.8	57	27.4	65	24.8	65	22.0	73	17.8	73	15.6	78	13.5	78	11.7				
7.5	34	25.5	54	24.4	63	22.2	63	22.0	72	17.7	72	14.9	78	13.0	77	11.3				
8.0	28	22.3	52	21.6	61	20.0	61	22.0	71	17.6	71	14.4	76	12.6	77	10.9	78	10.0		
8.5	20	19.7	49	19.0	59	18.1	60	20.9	70	17.4	70	13.9	75	12.2	76	10.5	77	10.0		
9.0			47	17.0	58	16.5	58	19.1	68	16.0	69	13.4	74	11.9	75	10.2	76	10.0	79	9.0
10.0			41	13.7	54	13.3	54	15.7	66	13.7	66	12.4	73	11.8	73	9.5	75	9.6	78	8.7
11.0			34	11.3	50	11.0	50	13.2	64	11.9	64	11.5	71	11.5	71	8.9	74	9.1	76	8.3
12.0			25	9.4	45	9.1	46	11.3	62	10.2	62	10.6	69	10.1	70	8.5	72	8.6	75	7.9
14.0					38	6.5	36	8.6	56	7.5	57	8.9	66	8.0	66	7.7	69	7.9	72	7.4
16.0					21	4.7	21	6.7	51	5.7	51	7.0	62	6.2	63	6.7	66	6.8	69	6.4
18.0									45	4.4	45	5.7	58	4.8	59	5.8	62	5.4	66	5.1
20.0									38	3.4	38	4.6	54	3.8	54	4.8	59	4.4	63	4.0
22.0									30	2.6	29	3.8	49	3.0	50	3.9	55	3.6	59	3.2
24.0									17	1.9	16	3.2	44	2.4	45	3.3	51	2.9	56	2.6
26.0													40	1.8	40	2.8	47	2.4	52	2.0
28.0													34	1.4	34	2.3	42	1.9	48	1.6
30.0													27	1.0	27	1.9	37	1.5	44	1.2
32.0															17	1.6	32	1.2	40	0.9
34.0																	25	0.9		
D	0																	30		
Telescoping conditions (%)																				
Telescoping mode	I, II		I		I		II		I		II		I		II		II		I, II	
2nd boom	0		50		100		0		100		0		100		0		50		100	
3rd boom	0		0		0		33		33		66		66		100		100		100	
4th boom	0		0		0		33		33		66		66		100		100		100	
Top boom	0		0		0		33		33		66		66		100		100		100	

LIFTING CAPACITIES AT ZERO DEGREE BOOM ANGLE ON OUTRIGGERS MID EXTENDED																				
6.7 m SPREAD 360° ROTATION																				
C	A 11.0 m		15.0 m		19.0 m				27.0 m				35.0 m				39.0 m			
	B	B	B	B	B	B	B	B	B	B	B	B	B	B	B	B	B	B		
0°	8.8	13.5	12.9	7.5	16.8	4.2	16.8	6.1	24.9	1.7	24.6	3.0	32.8	0.6	32.7	1.4	36.4	0.6		
Telescoping mode	I, II		I		I		II		I		II		I		II		II			

A : Boom length(m)

B : Load radius(m)

C : Loaded boom angle (°)

D : Minimum boom angle (°) for indicated length (no load)

RATED LIFTING CAPACITIES ISO 4305

ON OUTRIGGERS FULLY EXTENDED 7.3 m SPREAD													
360° ROTATION													
C	43.0 m Boom + 10.1 m Jib						C	43.0 m Boom + 17.7 m Jib					
	3.5° Tilt		25° Tilt		45° Tilt			3.5° Tilt		25° Tilt		45° Tilt	
	R	W	R	W	R	W		R	W	R	W	R	W
80	9.9	4.2	13.4	3.5	15.8	2.9	80	11.5	2.6	19.7	2.1	21.9	1.7
79	11.0	4.2	14.3	3.3	16.7	2.9	79	12.7	2.6	18.6	2.0	22.8	1.7
78	12.1	4.2	15.3	3.2	17.6	2.8	78	14.0	2.6	19.8	2.0	23.7	1.6
77	13.1	4.1	16.3	3.1	18.4	2.7	77	15.1	2.6	20.7	1.9	24.5	1.6
76	14.0	3.9	17.2	3.0	19.4	2.7	76	16.2	2.5	21.7	1.9	25.4	1.6
75	15.0	3.8	18.2	3.0	20.0	2.6	75	17.3	2.4	22.8	1.8	26.3	1.5
73	16.8	3.5	19.9	2.8	21.9	2.5	73	19.4	2.3	24.7	1.7	27.9	1.5
70	19.5	3.2	22.6	2.6	24.1	2.3	70	22.6	2.1	27.6	1.6	30.4	1.4
68	21.2	3.0	24.2	2.5	25.7	2.3	68	24.7	2.0	29.5	1.5	32.1	1.3
65	23.8	2.8	26.6	2.3	28.0	2.2	65	27.5	1.8	32.1	1.4	34.2	1.3
63	25.4	2.4	28.0	2.0	29.3	1.9	63	29.1	1.5	33.7	1.2	35.7	1.1
60	27.4	1.8	30.0	1.6	31.1	1.5	60	31.7	1.1	36.1	0.9		
58	29.1	1.5	31.5	1.3	32.5	1.2	58	33.4	0.9				
55	31.2	1.1	33.5	1.0	34.3	0.9							
53	32.6	0.9											

ON OUTRIGGERS MID EXTENDED 6.7 m SPREAD													
360° ROTATION													
C	39.0 m Boom(telescoping mode II) + 10.1 m Jib						C	39.0 m Boom(telescoping mode II) + 17.7 m Jib					
	3.5° Tilt		25° Tilt		45° Tilt			3.5° Tilt		25° Tilt		45° Tilt	
	R	W	R	W	R	W		R	W	R	W	R	W
80	9.5	4.6	13.0	3.8	15.4	3.2	80	11.0	2.8	17.1	2.3	21.1	1.8
79	10.5	4.6	13.8	3.6	16.1	3.1	79	12.1	2.8	17.9	2.2	22.0	1.8
78	11.4	4.6	14.7	3.5	17.0	3.0	78	13.2	2.8	19.0	2.1	22.8	1.7
77	12.4	4.5	15.6	3.4	17.9	2.9	77	14.3	2.8	19.9	2.1	23.6	1.7
76	13.4	4.4	16.6	3.3	18.8	2.9	76	15.5	2.7	21.0	2.0	24.5	1.7
75	14.2	4.2	17.4	3.2	19.5	2.8	75	16.4	2.7	21.9	1.9	25.3	1.6
73	16.0	3.9	19.1	3.1	20.9	2.7	73	18.4	2.5	23.8	1.8	27.0	1.6
70	18.5	3.6	21.4	2.8	23.1	2.5	70	21.4	2.3	26.4	1.7	29.2	1.5
68	20.1	3.4	23.1	2.7	24.4	2.4	68	23.2	2.2	28.1	1.6	30.7	1.4
65	22.5	3.1	25.2	2.6	26.6	2.3	65	26.0	2.0	30.5	1.5	32.8	1.4
63	24.0	3.0	26.8	2.5	27.8	2.3	63	27.8	1.9	32.3	1.5	34.2	1.3
60	26.3	2.7	28.9	2.3	29.7	2.2	60	30.3	1.8	34.7	1.4	36.4	1.3
58	27.5	2.4	29.9	2.1	30.9	2.0	58	31.8	1.6	36.1	1.3	37.7	1.2
55	29.5	1.9	31.8	1.7	32.6	1.6	55	34.1	1.3	38.1	1.0	39.4	0.9
53	30.8	1.7	32.9	1.5	33.7	1.4	53	35.5	1.1				
50	32.6	1.4	34.6	1.2	35.2	1.2							
48	33.7	1.2	35.7	1.1	36.1	1.0							
45	35.4	1.0											

ON OUTRIGGERS MID EXTENDED 6.7 m SPREAD													
360° ROTATION													
C	35 m Boom(telescoping mode I) + 10.1 m Jib						C	35 m Boom(telescoping mode I) + 17.7 m Jib					
	3.5° Tilt		25° Tilt		45° Tilt			3.5° Tilt		25° Tilt		45° Tilt	
	R	W	R	W	R	W		R	W	R	W	R	W
80	8.2	5.6	11.6	4.5	13.9	3.7	80	9.6	3.2	15.8	2.6	20.0	2.1
79	9.0	5.6	12.4	4.4	14.7	3.6	79	10.6	3.2	16.7	2.6	20.8	1.9
78	9.9	5.6	13.3	4.3	15.6	3.6	78	11.6	3.2	17.5	2.5	21.6	1.9
77	10.8	5.6	14.1	4.2	16.2	3.5	77	12.5	3.2	18.5	2.4	22.3	1.9
76	11.6	5.5	14.8	4.0	16.8	3.4	76	13.5	3.2	19.4	2.4	23.1	1.9
75	12.4	5.3	15.5	3.9	17.6	3.4	75	14.4	3.2	20.2	2.3	23.9	1.9
73	14.0	5.0	17.2	3.7	19.0	3.2	73	16.3	3.1	22.1	2.2	25.6	1.9
70	16.2	4.6	19.2	3.5	20.9	3.1	70	19.1	2.9	24.4	2.1	27.7	1.8
68	17.8	4.3	20.6	3.4	22.2	3.0	68	20.7	2.7	26.0	2.0	29.1	1.7
65	20.0	4.0	22.7	3.2	24.1	2.9	65	23.3	2.5	28.2	1.9	31.1	1.7
63	21.4	3.8	24.0	3.1	25.2	2.8	63	25.0	2.4	29.8	1.8	32.3	1.6
60	23.3	3.1	25.9	2.7	26.9	2.5	60	27.3	2.2	31.8	1.7	34.1	1.5
58	24.5	2.7	26.9	2.4	27.9	2.2	58	28.9	1.8	33.1	1.5	35.3	1.3
55	26.2	2.2	28.6	2.0	29.5	1.8	55	31.2	1.5	35.1	1.2	37.0	1.1
53	27.5	1.9	29.7	1.7	30.4	1.6	53	32.6	1.2	36.3	1.0	38.0	0.9
50	29.2	1.6	31.2	1.4	31.9	1.3	50	34.7	1.0				
48	30.3	1.4	32.3	1.2	32.8	1.2							
45	32.0	1.1	33.7	1.0	34.1	0.9							
43	33.0	0.9											

C : Loaded boom angle (°)

R : Load radius(m)

W : Rated lifting capacity(Unit:x1,000kg)

RATED LIFTING CAPACITIES ISO 4305

ON OUTRIGGERS FULLY EXTENDED 7.3 m SPREAD 360° ROTATION (Unit: x 1,000 kg)																				
B	11.0 m		15.0 m		19.0 m				27.0 m				35.0 m				39.0 m		43.0 m	
	A	C	C	C	C	C	C	C	C	C	C	C	C	C	C	C	C	C	C	
3.0	68	55.6	74	40.8	78	32.0	78	22.0												
3.5	65	49.4	72	40.8	76	32.0	76	22.0												
4.0	62	44.3	70	40.8	75	32.0	75	22.0												
4.5	59	40.0	68	39.5	73	32.0	73	22.0	78	22.0	79	17.0								
5.0	56	36.3	66	33.2	72	29.6	71	22.0	77	21.3	77	17.0								
5.5	52	32.7	64	28.5	70	25.5	70	22.0	76	20.3	76	17.0								
6.0	48	28.4	62	24.9	69	22.4	68	22.0	75	19.4	75	17.0								
6.5	44	24.2	59	21.9	67	19.8	66	22.0	74	18.5	74	16.2	79	14.0	79	12.0				
7.0	40	20.8	57	19.5	65	17.7	65	20.4	73	16.8	73	15.6	78	13.5	78	11.7				
7.5	33	18.1	54	17.5	63	15.9	63	18.5	72	15.2	72	14.9	77	13.0	77	11.3				
8.0	28	16.0	52	15.5	62	14.3	61	16.9	71	13.9	71	14.4	76	12.6	77	10.9	78	10.0		
8.5	20	14.2	50	13.7	60	13.0	59	15.5	70	12.8	70	13.9	75	12.1	76	10.5	77	10.0		
9.0			47	12.3	58	11.8	58	14.2	68	11.7	69	13.4	74	11.2	75	10.2	77	10.0	79	9.0
10.0			40	9.9	54	9.6	54	11.8	66	10.0	66	11.6	73	9.7	73	9.5	75	9.6	78	8.7
11.0			33	8.1	50	7.8	50	10.0	64	8.6	64	10.2	71	8.5	71	8.9	74	8.9	77	8.2
12.0			24	6.7	46	6.5	45	8.5	61	7.5	61	8.9	69	7.4	70	8.5	72	7.9	75	7.2
14.0					36	4.4	35	6.4	56	5.4	56	6.8	66	5.8	66	6.9	69	6.3	72	5.7
16.0					22	3.0	21	4.9	51	4.0	51	5.3	62	4.4	62	5.4	65	5.0	69	4.6
18.0									45	2.9	45	4.2	58	3.4	59	4.3	62	3.9	66	3.6
20.0									38	2.1	37	3.3	54	2.6	55	3.5	58	3.1	62	2.8
22.0									30	1.5	29	2.7	49	1.9	50	2.8	55	2.5	59	2.1
24.0									18	0.9	15	2.1	45	1.4	45	2.3	51	1.9	55	1.6
26.0													39	0.9	40	1.8	46	1.5	52	1.2
28.0															34	1.5	42	1.1		
30.0															27	1.2				
32.0															16	0.9				
D	0											26		0		31		43		
Telescoping conditions (%)																				
Telescoping mode	I, II		I		I		II		I		II		I		II		II		I, II	
2nd boom	0		50		100		0		100		0		100		0		50		100	
3rd boom	0		0		0		33		33		66		66		100		100		100	
4th boom	0		0		0		33		33		66		66		100		100		100	
Top boom	0		0		0		33		33		66		66		100		100		100	

LIFTING CAPACITIES AT ZERO DEGREE BOOM ANGLE ON OUTRIGGERS MID EXTENDED 5.5 m SPREAD 360° ROTATION																				
C	11.0 m		15.0 m		19.0 m				27.0 m				35.0 m							
	A	B	B	B	B	B	B	B	B	B	B	B	B	B	B	B	B	B	B	B
0°	8.8	12.5	12.9	5.6	16.9	2.5	16.8	4.5	24.9	0.7	24.5	2.0			32.8	0.6				
Telescoping mode	I, II		I		I		II		I		II				II					

A : Boom length(m)

B : Load radius(m)

C : Loaded boom angle (°)

D : Minimum boom angle (°) for indicated length (no load)

RATED LIFTING CAPACITIES

ISO 4305

ON OUTRIGGERS FULLY EXTENDED 7.3 m SPREAD

360° ROTATION

C	43.0 m Boom + 10.1 m Jib						C	43.0 m Boom + 17.7 m Jib					
	3.5° Tilt		25° Tilt		45° Tilt			3.5° Tilt		25° Tilt		45° Tilt	
	R	W	R	W	R	W		R	W	R	W	R	W
80	9.9	4.2	13.2	3.5	15.7	2.9	80	11.5	2.6	17.9	2.1	22.0	1.7
79	10.9	4.2	14.3	3.3	16.5	2.9	79	12.6	2.6	18.4	2.0	22.5	1.7
78	12.1	4.2	15.4	3.2	17.7	2.8	78	13.8	2.6	19.8	2.0	23.6	1.6
77	13.1	4.1	16.3	3.1	18.4	2.7	77	14.9	2.6	20.7	1.9	24.4	1.6
76	14.0	3.9	17.2	3.0	19.4	2.7	76	16.2	2.5	21.7	1.9	25.4	1.6
75	15.0	3.8	18.2	3.0	20.1	2.6	75	17.3	2.4	22.8	1.8	26.4	1.5
73	16.7	3.5	19.9	2.8	21.8	2.5	73	19.5	2.3	24.8	1.7	28.0	1.5
70	19.3	2.8	22.3	2.4	24.1	2.2	70	22.3	1.8	27.4	1.4	30.3	1.3
68	20.9	2.3	23.9	2.0	25.5	1.9	68	24.0	1.4	29.1	1.1	31.8	1.0
65	23.2	1.7	26.1	1.5	27.6	1.4	65	26.9	1.0				
63	24.7	1.4	27.5	1.2	28.9	1.1							
60	27.0	1.0											

ON OUTRIGGERS MID EXTENDED 5.5 m SPREAD

360° ROTATION

C	39.0 m Boom(telescoping mode II) + 10.1 m Jib						C	39.0 m Boom(telescoping mode II) + 17.7 m Jib					
	3.5° Tilt		25° Tilt		45° Tilt			3.5° Tilt		25° Tilt		45° Tilt	
	R	W	R	W	R	W		R	W	R	W	R	W
80	9.6	4.6	13.1	3.8	15.5	3.2	80	11.0	2.8	17.1	2.3	21.1	1.8
79	10.5	4.6	13.8	3.6	16.1	3.1	79	12.1	2.8	18.1	2.2	22.0	1.8
78	11.4	4.6	14.7	3.5	17.0	3.0	78	13.2	2.8	18.9	2.1	22.6	1.7
77	12.4	4.5	15.6	3.4	17.8	2.9	77	14.3	2.8	20.0	2.1	23.6	1.7
76	13.4	4.4	16.6	3.3	18.7	2.9	76	15.3	2.7	20.8	2.0	24.5	1.7
75	14.2	4.2	17.4	3.2	19.4	2.8	75	16.4	2.7	21.8	1.9	25.3	1.6
73	15.9	3.9	19.1	3.1	21.0	2.7	73	18.4	2.5	23.7	1.8	26.9	1.6
70	18.5	3.6	21.4	2.8	23.1	2.5	70	21.2	2.3	26.4	1.7	29.2	1.5
68	20.1	3.4	22.9	2.7	24.5	2.4	68	23.2	2.2	28.2	1.6	30.7	1.4
65	22.5	2.8	25.2	2.3	26.4	2.1	65	25.8	1.8	30.5	1.4	32.6	1.2
63	24.1	2.3	26.8	2.0	27.8	1.8	63	27.8	1.5	32.4	1.2	34.2	1.0
60	25.8	1.8	28.4	1.6	29.5	1.4	60	29.9	1.1				
58	27.2	1.5	29.6	1.3	30.7	1.2	58	31.4	0.9				
55	29.2	1.2	31.4	1.0	32.4	0.9							
53	30.5	1.0											

ON OUTRIGGERS MID EXTENDED 5.5 m SPREAD

360° ROTATION

C	35 m Boom(telescoping mode I) + 10.1 m Jib						C	35 m Boom(telescoping mode I) + 17.7 m Jib					
	3.5° Tilt		25° Tilt		45° Tilt			3.5° Tilt		25° Tilt		45° Tilt	
	R	W	R	W	R	W		R	W	R	W	R	W
80	8.2	5.6	11.7	4.5	14.1	3.7	80	9.6	3.2	15.9	2.6	20.1	2.1
79	9.0	5.6	12.4	4.4	14.7	3.6	79	10.6	3.2	16.6	2.6	20.8	1.9
78	9.9	5.6	13.2	4.3	15.5	3.6	78	11.6	3.2	17.7	2.5	21.7	1.9
77	10.7	5.6	14.0	4.2	16.1	3.5	77	12.4	3.2	18.4	2.4	22.3	1.9
76	11.6	5.5	14.8	4.0	16.8	3.4	76	13.5	3.2	19.3	2.4	23.2	1.9
75	12.4	5.3	15.5	3.9	17.5	3.4	75	14.4	3.2	20.2	2.3	24.0	1.9
73	14.0	5.0	17.0	3.7	18.9	3.2	73	16.2	3.1	22.0	2.2	25.6	1.9
70	16.3	4.6	19.2	3.5	20.0	3.1	70	19.0	2.9	24.0	2.1	27.6	1.8
68	17.7	3.9	20.6	3.3	22.2	3.0	68	20.6	2.7	25.9	2.0	29.0	1.7
65	19.7	3.1	22.4	2.6	23.8	2.4	65	23.3	2.2	28.1	1.6	31.0	1.4
63	21.0	2.7	23.7	2.3	25.0	2.1	63	24.9	1.8	29.5	1.4	32.3	1.2
60	22.9	2.1	25.5	1.8	26.7	1.6	60	27.3	1.3	31.5	1.0		
58	24.2	1.7	26.6	1.5	27.7	1.4	58	28.7	1.1				
55	26.0	1.3	28.4	1.2	29.3	1.1							
53	29.2	1.1	29.5	1.0									

C : Loaded boom angle (°)

R : Load radius(m)

W : Rated lifting capacity(Unit:×1,000kg)

RATED LIFTING CAPACITIES

ISO 4305

ON OUTRIGGERS FULLY EXTENDED 7.3 m SPREAD																				
360° ROTATION (Unit: x 1,000 kg)																				
B \ A	11.0 m		15.0 m		19.0 m			27.0 m			35.0 m		39.0 m		43.0 m					
	c	c	c	c	c	c	c	c	c	c	c	c	c	c	c	c				
3.0	68	26.3	74	22.3	78	19.3	78	22.0												
3.5	65	21.4	72	18.3	76	16.0	76	18.7												
4.0	62	17.8	70	15.4	75	13.5	75	16.1												
4.5	59	15.0	68	13.1	73	11.5	73	14.0	78	10.9	78	12.5								
5.0	55	12.9	66	11.3	72	9.9	71	12.3	77	9.5	77	11.1								
5.5	52	11.2	64	9.8	70	8.6	69	10.9	76	8.4	76	10.0								
6.0	48	9.8	61	8.5	68	7.5	68	9.8	75	7.5	75	9.0								
6.5	44	8.6	59	7.4	67	6.6	66	8.8	74	6.7	74	8.2	78	6.4	79	7.5				
7.0	40	7.6	57	6.5	65	5.7	64	7.9	73	6.0	72	7.4	77	5.8	78	6.9				
7.5	34	6.6	55	5.7	63	5.0	63	7.1	71	5.3	71	6.8	76	5.2	77	6.3				
8.0	28	5.7	52	5.0	61	4.3	61	6.5	70	4.8	70	6.2	75	4.7	76	5.8				
8.5	19	5.0	49	4.4	59	3.8	59	5.9	69	4.3	69	5.7	75	4.3	75	5.4				
9.0			47	3.9	58	3.3	57	5.3	68	3.8	68	5.3	74	3.9	74	5.0				
10.0			41	2.9	54	2.4	53	4.4	66	3.1	65	4.5	72	3.2	72	4.3				
11.0			33	2.2	49	1.7	49	3.7	63	2.4	63	3.8	70	2.6	71	3.7				
12.0			25	1.5	45	1.1	45	3.1	61	1.9	60	3.2	69	2.1	69	3.2				
14.0							35	2.0	56	1.0	55	2.3	65	1.3	65	2.3				
16.0							20	1.3			49	1.6			62	1.7				
18.0											38	1.1			58	1.2				
D	0		21		0			44			27		57		49		57		64	
Telescoping conditions (%)																				
Telescoping mode	I, II	I	I	II	I	II	I	II	I	II	I	II	II	I, II						
2nd boom	0	50	100	0	100	0	100	0	100	0	100	0	50	100						
3rd boom	0	0	0	33	33	66	66	100	100	100	100	100	100	100						
4th boom	0	0	0	33	33	66	66	100	100	100	100	100	100	100						
Top boom	0	0	0	33	33	66	66	100	100	100	100	100	100	100						

LIFTING CAPACITIES AT ZERO DEGREE BOOM ANGLE ON OUTRIGGERS MIN EXTENDED																
2.7 m SPREAD 360° ROTATION																
C \ A	11.0 m		15.0 m		19.0 m			27.0 m			35.0 m		39.0 m		43.0 m	
	B	B	B	B	B	B	B	B	B	B	B	B	B	B	B	B
0°	8.7	4.5	12.9	0.9			16.7	1.1								
Telescoping mode	I, II	I					II									

- A : Boom length(m)
- B : Load radius(m)
- C : Loaded boom angle (°)
- D : Minimum boom angle (°) for indicated length (no load)

NOTES FOR "ON OUTRIGGERS" TABLE

1. Rated lifting capacities shown in the table are based on condition that crane is set on firm level surface. Those above thick lines are based on crane strength and those below, on its stability.
2. Rated lifting capacities based on crane stability are according to ISO4305.
3. The mass of the hook (540 kg for 60t capacity, 450 kg for 35t capacity, 150 kg for 5.6t capacity), slings and all similarly used load handling devices must be considered as part of the load and must be deducted from the lifting capacities.
4. For rated lifting capacity of single top, reduce the rated lifting capacities of relevant boom according to a weight reduction for auxiliary load handling equipment. Capacities of single top shall not exceed 5,600 kg including main boom hook mass and the net capacity must be so reduced.
5. Standard number of parts of line for each boom length is as shown below. Load per line should not surpass 54.9 kN {5,600 kgf} for main winch and auxiliary winch.

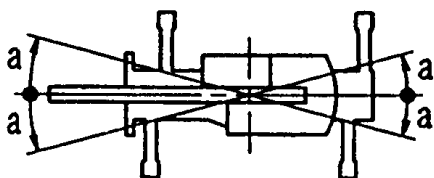
Boom length	11.0 m	11.0 m to 15.0 m		15.0 m to 19.0 m	19.0 m to 43.0 m	Single top Jib
Telescoping mode	I, II	I	II	I, II	I, II	I, II
Number of parts of line	12	8	6	6	4	1

The lifting capacity data stored in the AUTOMATIC MOMENT LIMITER (AML) is based on the standard number of parts of line listed in the chart.

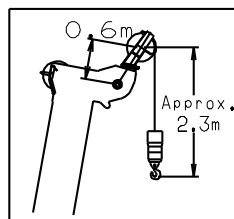
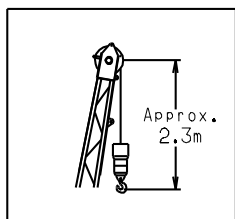
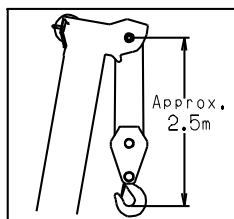
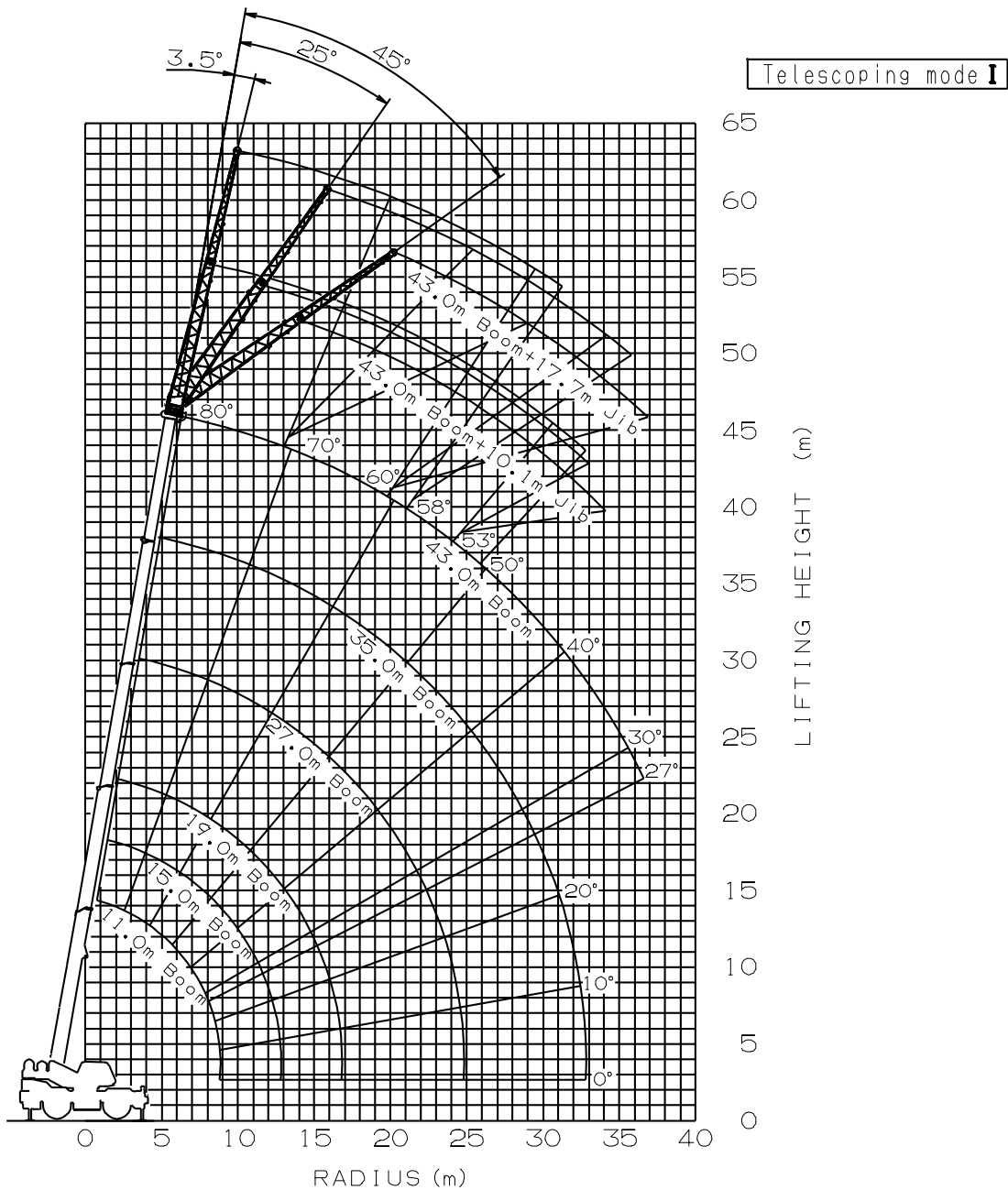
Maximum lifting capacity is restricted by the number of parts of line of AUTOMATIC MOMENT LIMITER (AML).

6. The lifting capacity for over-side area differs depending on the outrigger extension width. Work with the capacity corresponding to the extension width. The lifting capacities for over-front and over-rear areas are for "outriggers fully extended". However, the areas (angle **a**) differ depending on the outrigger extension width.

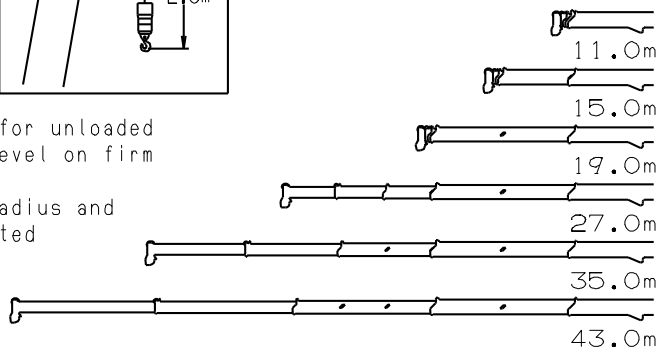
Outriggers extended width	6.7 m (middle)	5.5 m (middle)	2.7 m (minimum)
Angle a °	45	35	15



WORKING RANGE CHART

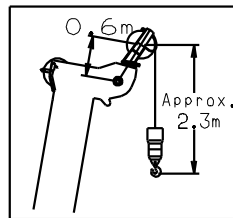
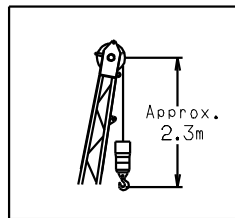
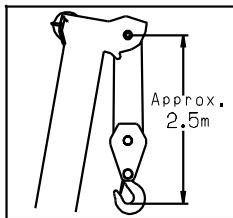
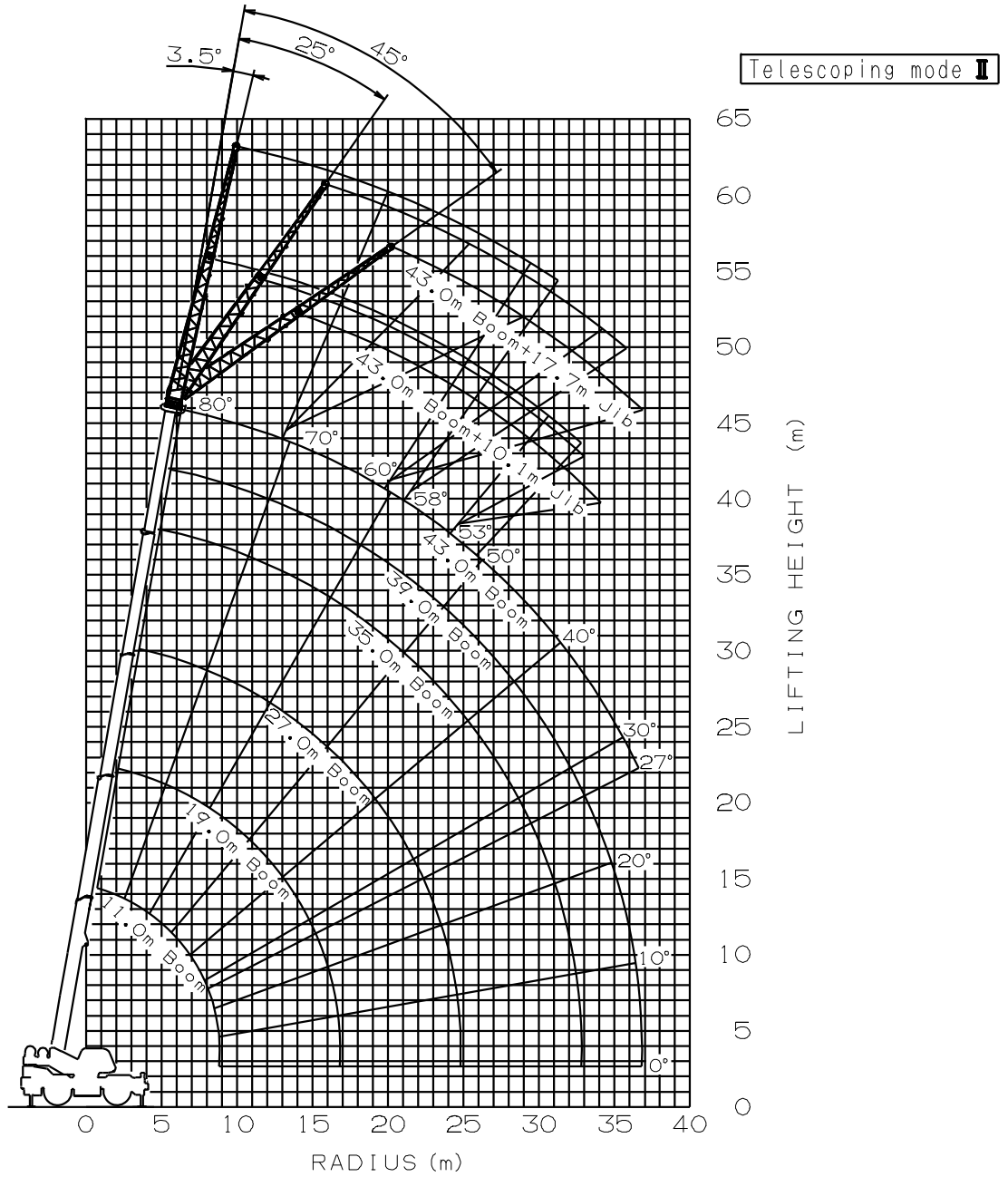


Boom Length

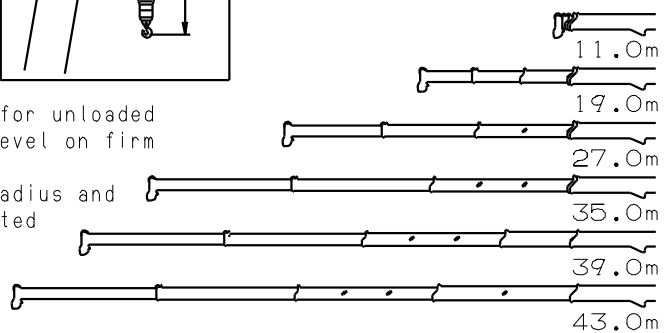


NOTE: 1. Boom and jib geometry shown are for unloaded condition and machine standing level on firm supporting surface.
 Boom deflection and subsequent radius and boom angle change must be accounted for when applying load to hook.

WORKING RANGE CHART

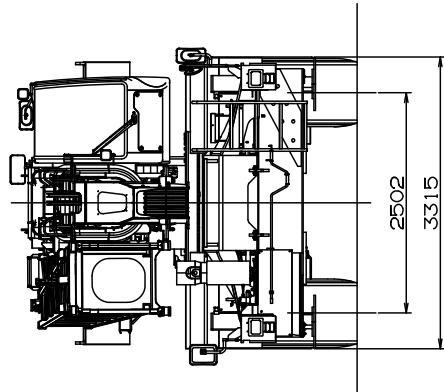
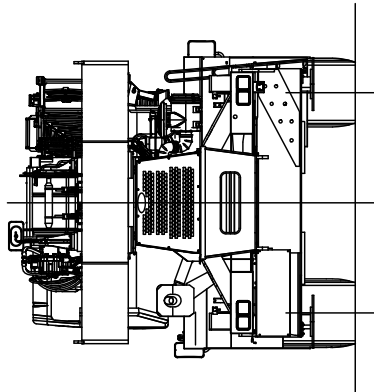
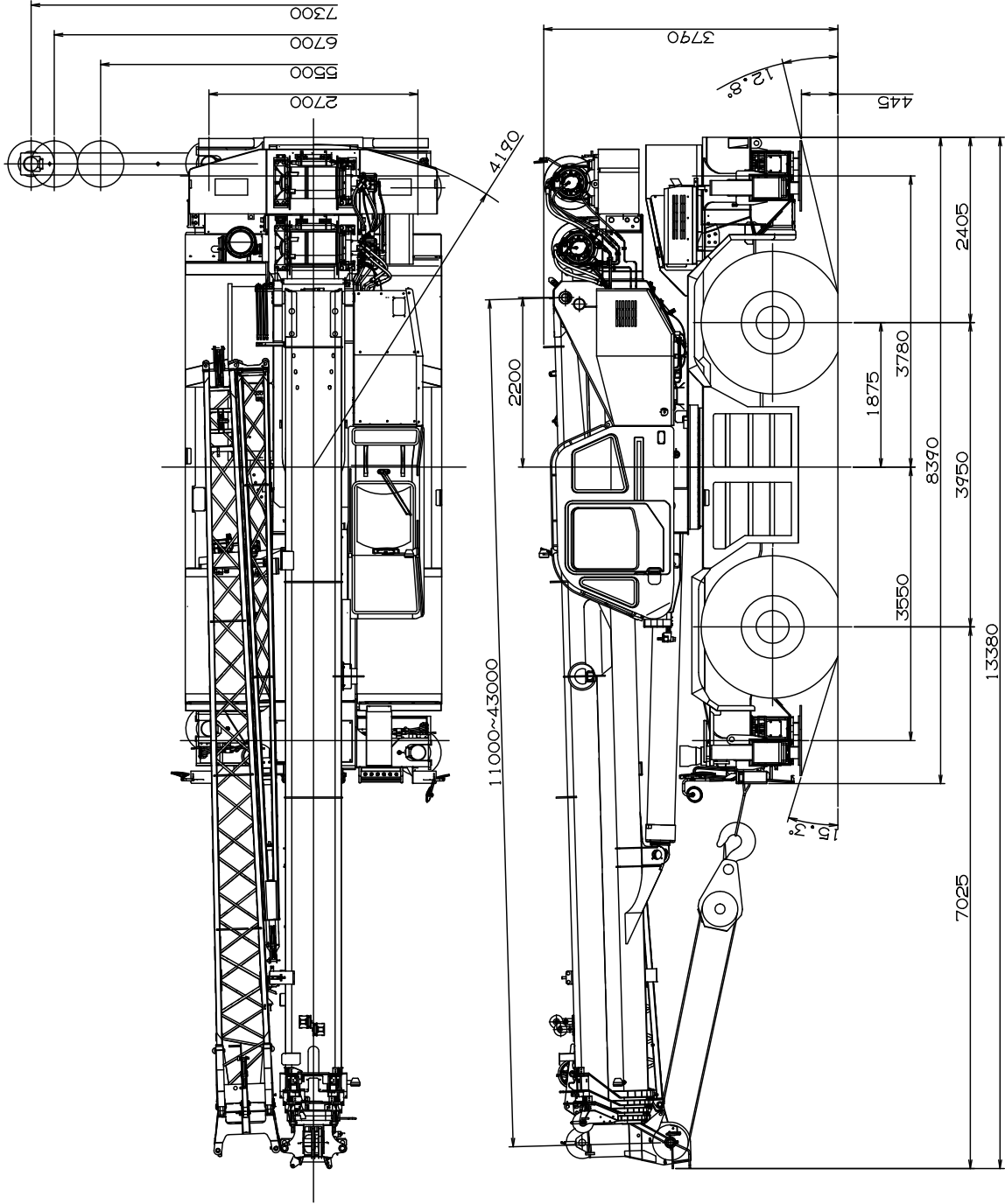


Boom Length



NOTE: 1. Boom and jib geometry shown are for unloaded condition and machine standing level on firm supporting surface.
 Boom deflection and subsequent radius and boom angle change must be accounted for when applying load to hook.

DIMENSIONS



GR-600EX Axle Weight Distribution Chart

UNIT : kg

	GVW	Front	Rear
Basic standard machine includes: 5-section boom (11.0 m - 43.0 m) 2-stage jib (10.1 m, 17.7 m) Mitsubishi 6M60-TLC1B 29.5R25 tires Single top 5.6 ton hook ball	44,135	21,755	22,380
Add: 1. 60 ton 6 sheaves hook block 2. 35 ton 3 sheaves hook block	+540 +450	+960 +800	-420 -350
Remove: 1. 5.6 ton hook ball 2. Top jib 3. Base jib 4. Counter weight with auxiliary winch and wire rope	-150 -335 -865 -5,670	-215 -365 -1,480 +2,500	+65 +30 +615 -8170