

The Individual rich lineup of the 5-axle All Terrain Cranes

The sophisticated drive concept of the all terrain crane means that it can be transported for use by road in an incredibly cost-efficient manner while still maintaining optimal good terrain mobility on construction sites. Every single TADANO all terrain crane available worldwide is developed and manufactured on our site in Lauf an der Pegnitz and therefore has the "Made-in-Germany" quality seal.



Photo: ATF 220G-5

ATF 220G-5 **EUROMOT 3B**

No 5-axle crane in its class compares to the ATF 220G-5 in terms of lifting power. High load capacity combined with a 68 m main boom and an axle load of 12 t ensure a wide range of utility and application. This generates enormous income opportunities.



ATF 180G-5 **EUROMOT 3B**

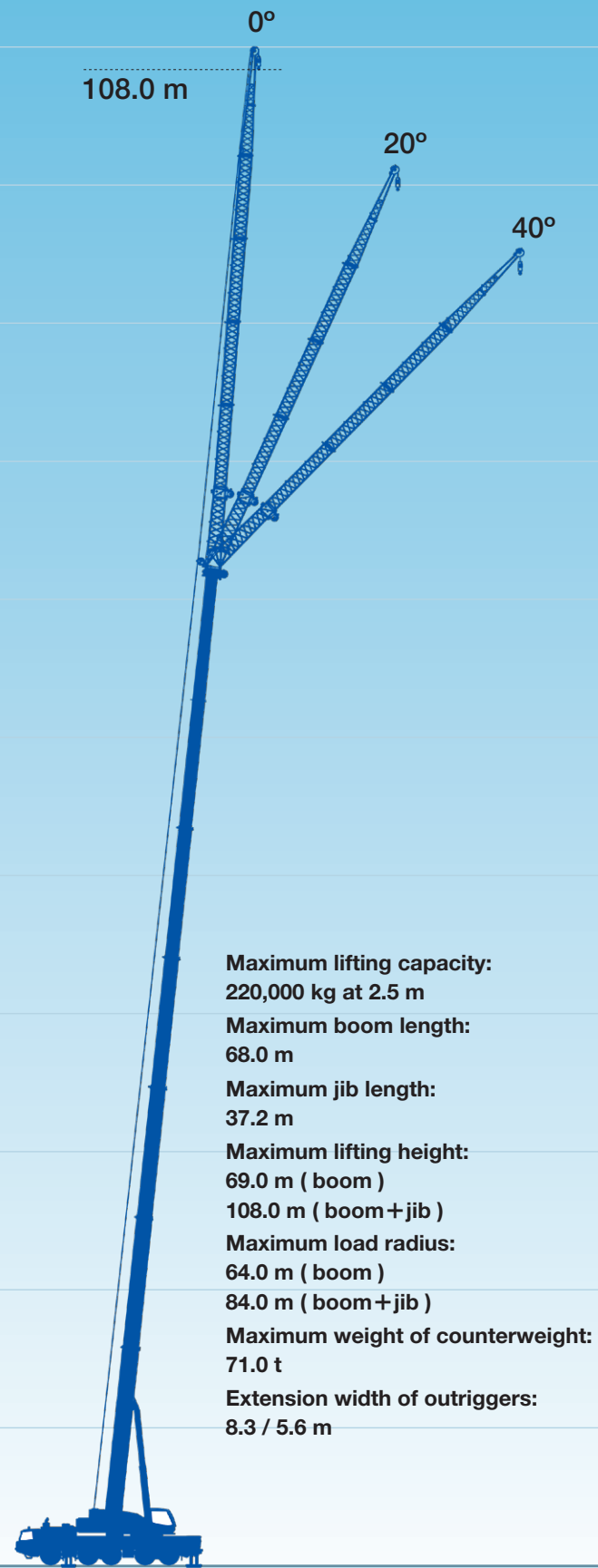
The wide application spectrum of the ATF 180G-5 enables incredible ease of use. Whether it's with a 0 t counterweight or a full counterweight, the load capacity of the ATF 180G-5 is excellent. This makes it a fantastic investment towards the flexibility and utility of your crane fleet.



ATF 130G-5 **EUROMOT 3B**

The ATF 130G-5 has an 18 m boom extension which is mounted to the 60 m main boom. At a total weight of 60 t and an axle load of 12 t, it can be transported along with the crane. The boom extension can be used as a 3.8 m heavy duty jib or as a 10/18 m jib as demanded by the work to be performed. This means that neither the boom extension nor the heavy jib need to be transported separately then mounted, resulting in considerable reduction in costs.

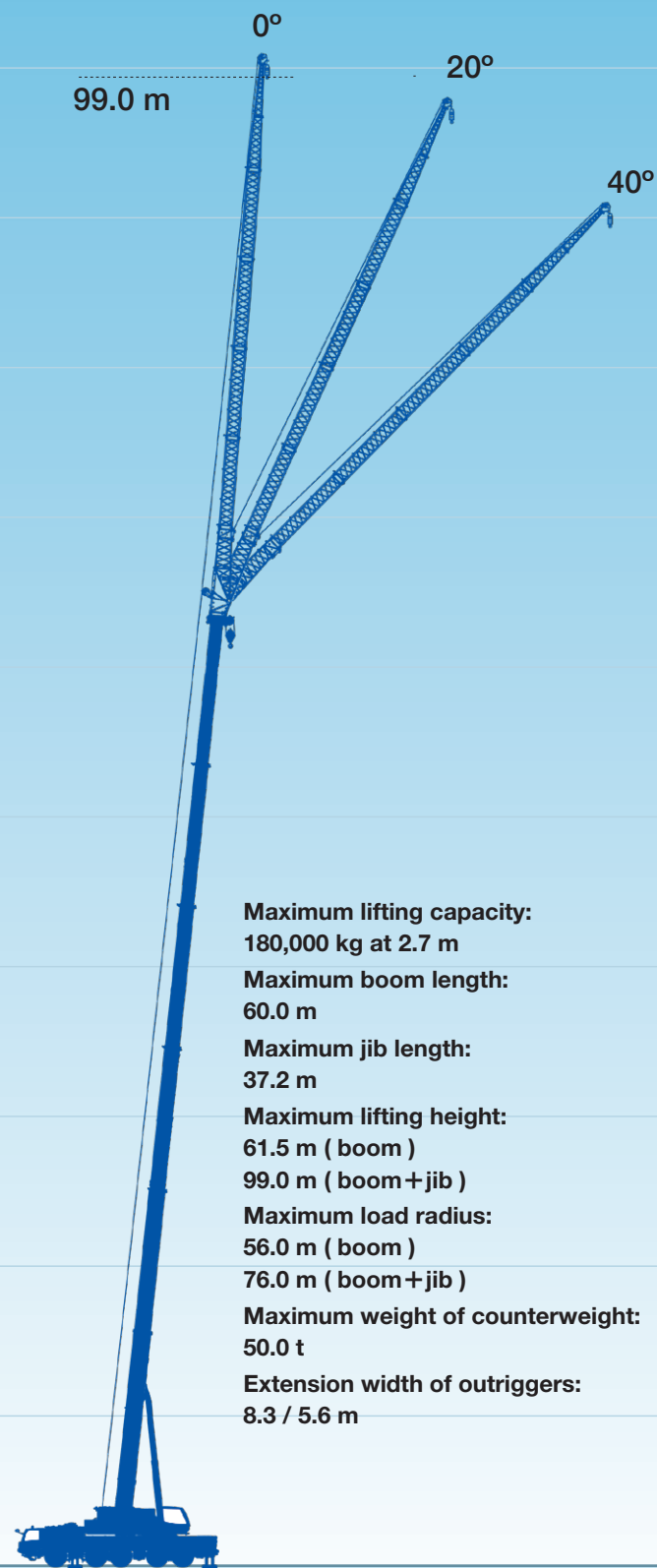




Maximum lifting capacity:
 220,000 kg at 2.5 m
Maximum boom length:
 68.0 m
Maximum jib length:
 37.2 m
Maximum lifting height:
 69.0 m (boom)
 108.0 m (boom+jib)
Maximum load radius:
 64.0 m (boom)
 84.0 m (boom+jib)
Maximum weight of counterweight:
 71.0 t
Extension width of outriggers:
 8.3 / 5.6 m

ATF 220G-5

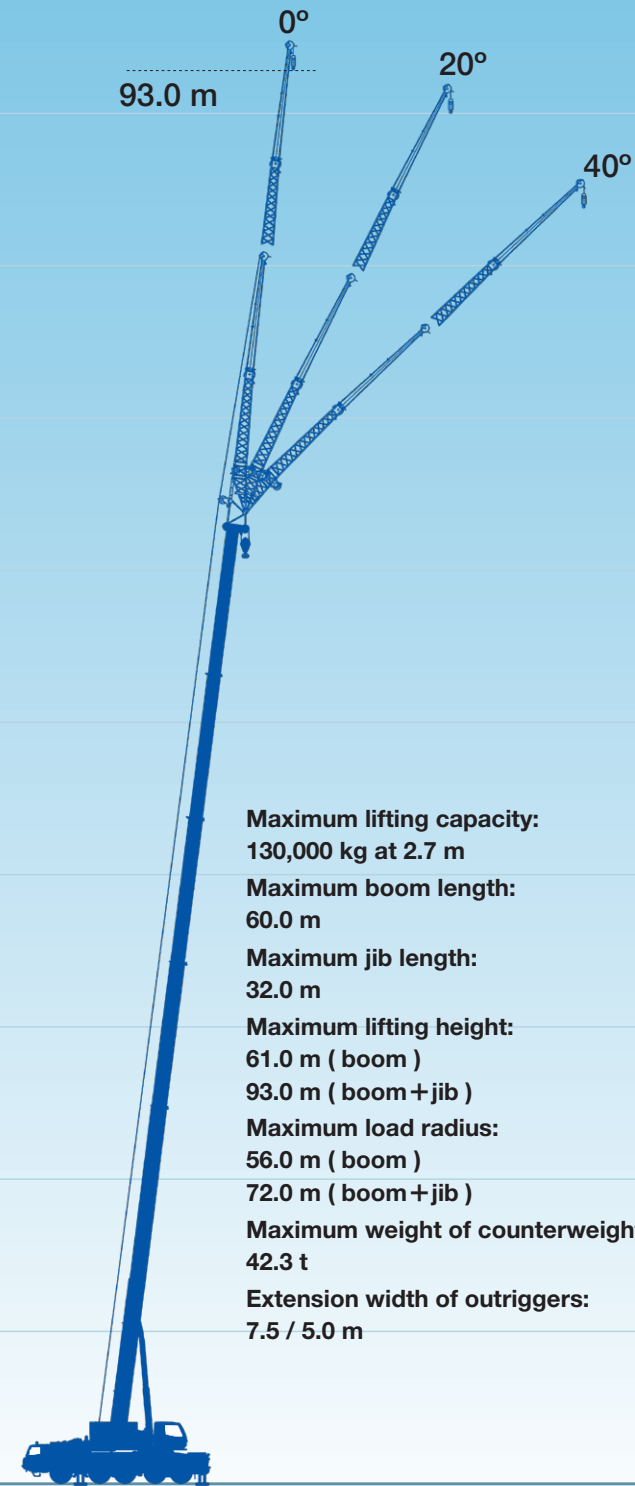
Optional:
 Tiltable fly jib
 Hydraulic tiltable jib
 Hydraulic telescopic luffing jib



Maximum lifting capacity:
 180,000 kg at 2.7 m
Maximum boom length:
 60.0 m
Maximum jib length:
 37.2 m
Maximum lifting height:
 61.5 m (boom)
 99.0 m (boom+jib)
Maximum load radius:
 56.0 m (boom)
 76.0 m (boom+jib)
Maximum weight of counterweight:
 50.0 t
Extension width of outriggers:
 8.3 / 5.6 m

ATF 180G-5

Optional:
 Tiltable fly jib
 Hydraulic tiltable jib
 Hydraulic telescopic luffing jib



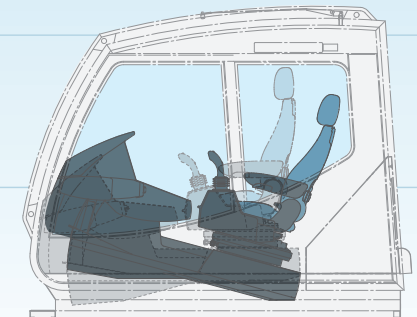
Maximum lifting capacity:
 130,000 kg at 2.7 m
Maximum boom length:
 60.0 m
Maximum jib length:
 32.0 m
Maximum lifting height:
 61.0 m (boom)
 93.0 m (boom+jib)
Maximum load radius:
 56.0 m (boom)
 72.0 m (boom+jib)
Maximum weight of counterweight:
 42.3 t
Extension width of outriggers:
 7.5 / 5.0 m

ATF 130G-5

Optional:
 Tiltable fly jib
 Hydraulic tiltable jib



Crane cabin



Adjusting seat tilt

The seat can be tilted for 15°. It is useful when performing a high lifting work such as a jib lift.

The high performance moment limiter comes standard and aids the operator in maintaining safe operation.

The ultimate boom for the all terrain crane

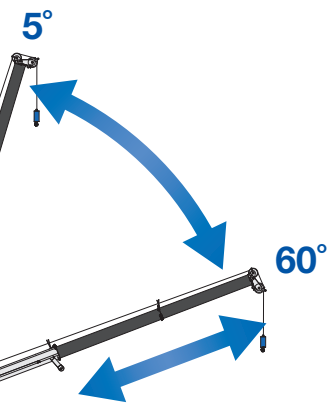
The rounded boom is made of high tensile steel, which allows for decreased boom weight and increased boom strength.



Hydraulic telescoping and luffing jib *Optional

The ATF 220G-5 and ATF 180G-5 can be equipped optionally with an up to 20.9 m long fully hydraulically telescopic and tiltable jib (HTLJ). This permits uncomplicated lifting of loads beyond building edges and into upwardly restricted building structures, which would not be possible with rigid jibs. This means that the HTLJ made by TADANO works like an additional fully hydraulic main boom. The HTLJ enables the additional advantage of assembly within approx. 30 minutes without an auxiliary crane - even in confined spaces when it is not extended.

*An auxiliary crane is required to mount the adapter on the boom head.

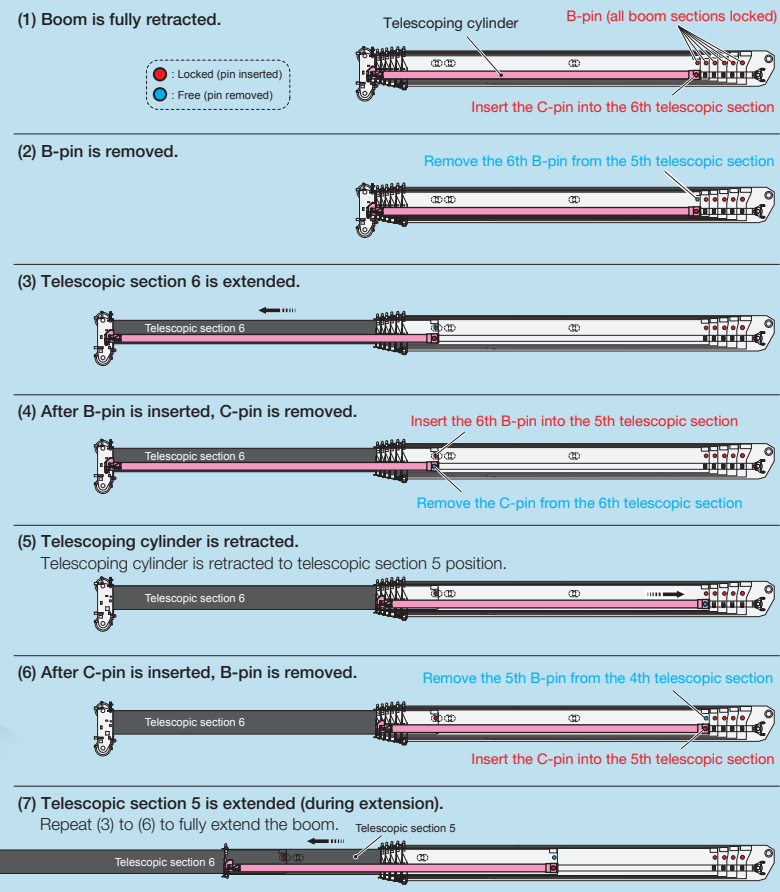


Hydraulic telescoping and luffing jib:
Length: 8.5 - 20.9 m
Offset angle: 5° - 60°

Single telescopic cylinder

For extension and retraction of sections, 7 section box type construction consisting of 1 base section and 6 telescopic sections are extended by a single telescoping cylinder. All sections are fully extended/retracted automatically and locked in the selected working position.

*The case of boom of ATF 220G-5



1

Set up on outriggers.



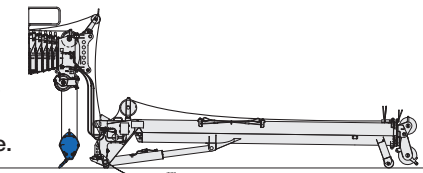
2

Place HTLJ in position.



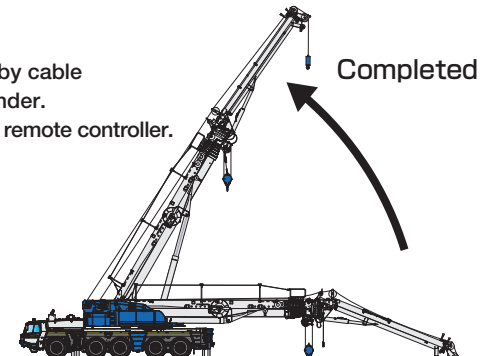
3

Connect the hydraulics and electric lines, and assembly the cable.



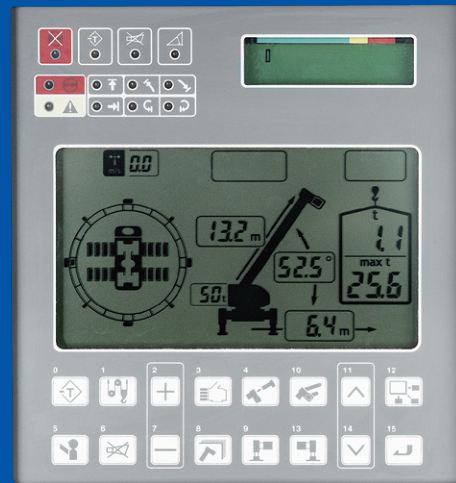
4

Jib is mounted by cable & hydraulic cylinder. All controlled by remote controller.



Completed

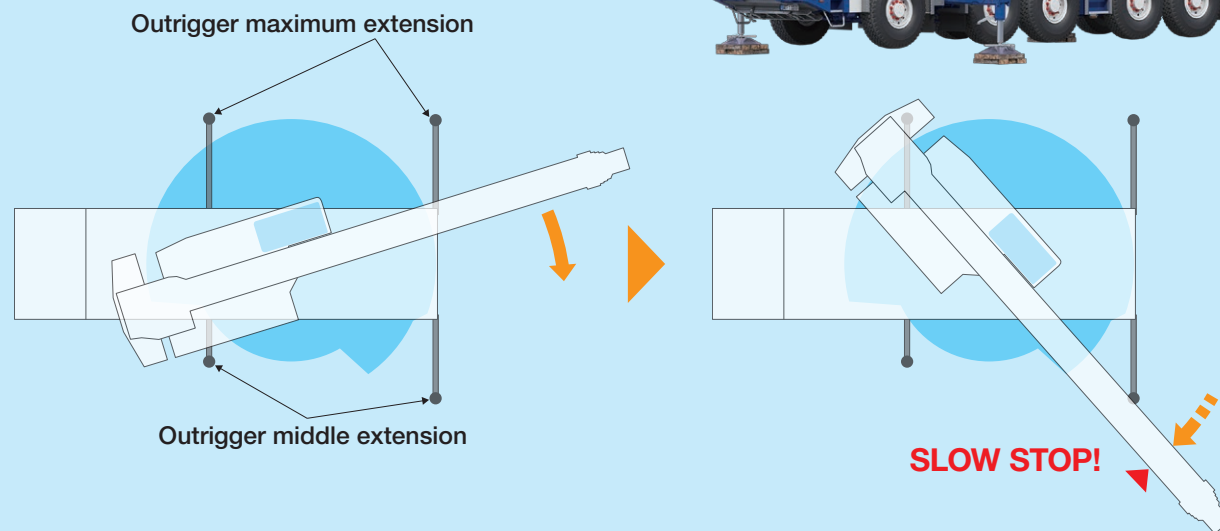
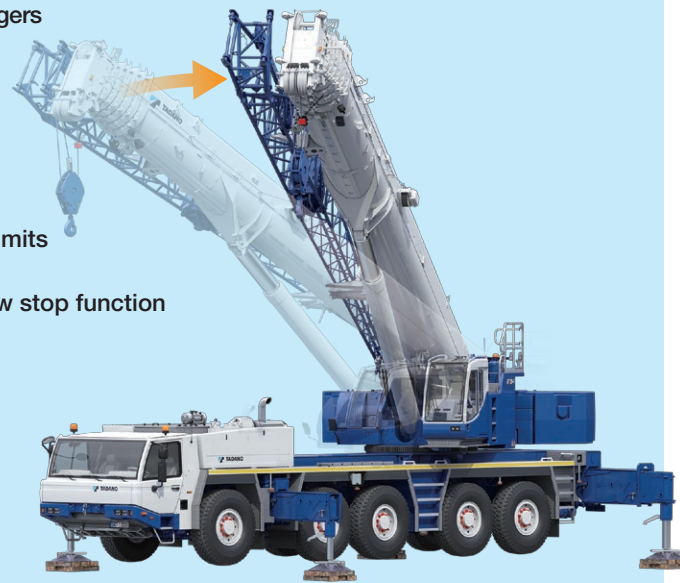
Automatic moment limiter [AML]



Tadano's AML is easy to use, innovative in design, displays important information to the operator and enables the operator to preset a custom working environment. For example, the AML shows the boom angle, boom length, load radius, operating pressure of the elevating cylinder, the extension width of the outriggers, slewing position, rated lifting capacity and present hook load. These features allow the AML to move seamlessly through all lifting operations without having to change configurations or input new codes to make the lift. The AML safety features provide both audio and visual warnings. When an operation approaches the load limit, Tadano's slow stop function engages to avoid shock loads.

Control of asymmetric extension width of outriggers

When operating the crane with the asymmetric outriggers extended, the AML automatically detects the extension width of outriggers at the front and rear, and to the left and right of the crane to allow maximum work capacity in each area. When slewing the boom from the longer outrigger area to the shorter outrigger area, the AML automatically detects the motion and displays the maximum capacity depending on each of the extension widths of outriggers, and brings the motion to a slow stop before it reaches the limits of the allowed capacity. Therefore, even in the case of operator error, the AML's slow stop function will help to minimize any safety risk.



Lift Adjuster

Boom deflection occurs when the winch is wound due to the weight of the lifted load, causing the lifted load to sway in a direction that expands the load radius as it clears the ground. This situation requires very careful and precise operation to mitigate outward movement of the hook block. In the lift adjuster function, the AML detects boom deflection and automatically adjusts boom angle to mitigate outward hook block movement.



Operator comfort

The crane cab provides improved livability and offers the operator a more comfortable working environment.



Tadano's carriers boast highway speed capacity and maneuverability, ideal for both on and off-road construction as well as industrial projects. These models enable access to confined job site because of their all wheel steering.



Two-person, full-width cabin

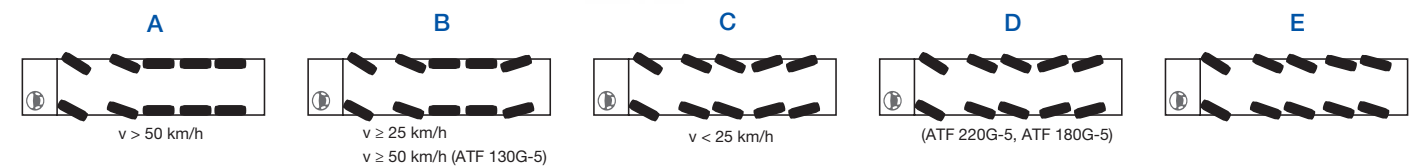
The full-sized cabin accommodates two passengers, allows comfortable traveling for the operator.

Automatic mechanical transmission



Photo: ATF 220G-5

Five steering modes



High performance engine



Mercedes-Benz
8 cylinder model OM 502 LA
(Euromot III B / EPA Tier 4i)
Rated:
405 kW (551 PS) at 1,800 min⁻¹
Torque:
2,600 Nm (265 kpm) at 1,300 min⁻¹

Transmission

ZF-AS-Tronic 16 AS 2631 mechanical transmission with integrated interarder, electro-pneumatically operated dry-type clutch and automatic gear shifting with 16 forward gears and 2 reverse gears. Power / Economy modes.
(ATF 130G-5 : ZF-AS-Tronic 12 AS 2531 mechanical transmission with integrated interarder, electro-pneumatically operated dry-type clutch and automatic gear shifting with 12 forward gears and 2 reverse gears. Power / Economy modes.)

	Max traveling speed	Overall length	Overall width	Overall height	Drive/steering
ATF 220G-5  Tires: 385/95 R25 (14.00 R25)	85 km/h	15.12 m	3 m	3.94 m	10 x 8 x 10 (10 x 6 x 10)* 
ATF 180G-5  Tires: 445/95 R25 (16.00 R25)	85 km/h	15.13 m	3 m	3.99 m	10 x 8 x 10 (10 x 6 x 10)* 
ATF 130G-5  Tires: 445/95 R25 (16.00 R25)	85 km/h	14.85 m	2.75 m	3.99 m	10 x 6 x 10 (10 x 8 x 10)* 

*Optional