

TADANO CARGO CRANE

MODEL : **TM-ZE305** series

MODEL	SPEC.	SPEC. No.
TM-ZE305HRS	Hook-in Radio controller Safety device (AML : Rated capacity indicator/limiter)	TM-30Z-6-03015
TM-ZE305HRS	Hook-in Radio controller Safety device (AML : Rated capacity indicator)	TM-30Z-6-03025

CRANE SPECIFICATIONS

CRANE CAPACITY

3,030 kg at 2.4 m (4-part lines)

BOOM

Five-sectioned, fully powered partly synchronized telescoping boom of heptagonal box construction

Fully retracted length ----- 3.52 m

Fully extended length ----- 12.3 m

Extending speed ----- 8.78 m in 18 s

Elevation ----- Elevated by a double-acting hydraulic cylinder

Raising speed ----- 1° to 78° in 7.5 s

Boom point ----- 2 sheaves

WINCH

Hydraulic motor driven Spur gear speed reduction, provided with mechanical brake and cable follower

Single line pull ----- 7.45 kN {760 kgf}

Single line speed ----- 76 m/min (at 4th layer)

Wire rope

Diameter x length ----- 8 mm x 74 m

Breaking strength ----- 43.1 kN {4.39 tf}

Construction ----- 7 x 7 + 6 x WS (26)

Hook block ----- 2 sheaves

HOOK BLOCK STOWING DEVICE

Hook-in (Mechanically stowed beneath boom top portion)

SLEWING

Hydraulic motor driven Worm gear speed reduction

Continuous 360° full circle slewing on ball bearing slew ring

Automatic slewing lock

Slewing speed ----- 2.5 min⁻¹ {rpm}

OUTRIGGERS

Manually operated beams and hydraulically operated jacks
Integral with crane frame

Extension width ----- Min. 2,000 mm center to center
(2,150 mm outer to outer)
Mid. 2,700 mm center to center
(2,850 mm outer to outer)
Max. 3,400 mm center to center
(3,550 mm outer to outer)

HYDRAULIC SYSTEM

Hydraulic pump ----- Single gear pump
Hydraulic motors ----- Axial piston type for winch
Axial piston type for slewing
Control valves ----- Multiple control valves with integral
safety valve
Oil tank capacity ----- Approx. 43.0 L

RADIO CONTROLLER

Model : RCS-F (with colored display)
Control functions of telescoping, hoisting up and down, elevating,
slewing, acceleration, Hook-in, Hook-out, horn, stop operation,
outrigger operation and working height limit.
Frequency ----- 40 frequencies in 433 MHz band
Operating power supply
Transmitter ----- 6V DC, Dry battery R6P (SUM-3) x 4
Control unit ----- 24V DC, Vehicle battery
Transmitter mass ----- Approx. 670 g (includes batteries)

SAFETY DEVICES

Anti-two-block-device
 AML (Automatic Moment Limiter)
 Load indication
 Load moment ratio indication
 Warning alarm
 Rated capacity indicator/limiter or Rated capacity indicator
 Limit warning lamp
 Outrigger length detector
 Outrigger asymmetric extension width control
 Limit warning lamp(three-color)
 WHL (Working Height Limiter)
 Boom angle indicator
 Load indicator
 Load meter
 Over-unwinding prevention
 Hook safety latch
 Spirit level
 Jack interlock
 Boom/outrigger stowing reminder alarm
 Emergency stop switch
 Stop switch on radio controller
 Hydraulic safety valves, check valves and holding valves

OPTIONAL EQUIPMENT

Emergency hydraulic pump
 Outrigger pads
 Oil cooler
 Tilttable jack float
 Rear outriggers (outrigger beam extension type)

CRANE MASS

Approx. 1,290 kg
 (Except crane options and munting parts.)

NOTE : Each operating speeds show the value when there is no load conditions and the pump delivery is the following conditions.

- 36 L/min (Slewing speed)
- 60 L/min (BOOM : Extending speed, Raising speed WINCH : Single line speed)

RATED LIFTING CAPACITIES (kg)

Table A

LOAD RADIUS	3.52 m / 5.75 m BOOM			LOAD RADIUS	7.95 m BOOM	
	CRANE STRENGTH	EMPTY CHASSIS			CRANE STRENGTH	EMPTY CHASSIS
		extension width of outriggers				extension width of outriggers
		MAX.	MIN.		MAX.	
2.4 m and below	3,030	3,030	1,330	2.7 m and below	2,330	2,330
2.5 m	2,830	2,780	1,230	3.0 m	2,130	2,080
3.0 m	2,430	2,150	880	3.5 m	1,830	1,550
3.5 m	2,030	1,550	680	4.0 m	1,630	1,200
4.0 m	1,730	1,200	530	4.5 m	1,480	950
4.5 m	1,480	950	430	5.0 m	1,330	780
5.0 m	1,330	780	330	5.5 m	1,150	680
5.5 m	1,150	630	280	6.0 m	1,080	550
				6.5 m	980	480
				7.0 m	880	400
				7.75 m	750	330

LOAD RADIUS	10.12 m BOOM		LOAD RADIUS	12.3 m BOOM	
	CRANE STRENGTH	EMPTY CHASSIS		CRANE STRENGTH	EMPTY CHASSIS
		extension width of outriggers			extension width of outriggers
		MAX.		MAX.	
4.0 m and below	1,230	1,200	4.5 m and below	930	930
5.0 m	980	780	5.0 m	830	780
6.0 m	830	550	6.0 m	700	550
7.0 m	730	400	7.0 m	600	400
8.0 m	650	330	8.0 m	500	330
9.0 m	580	250	9.0 m	450	250
9.92 m	530	200	10.0 m	400	200
			11.0 m	350	180
			12.1 m	330	150

Table C

LOAD RADIUS	3.52 m / 5.75 m BOOM			LOAD RADIUS	7.95 m BOOM	
	CRANE STRENGTH	EMPTY CHASSIS			CRANE STRENGTH	EMPTY CHASSIS
		extension width of outriggers				extension width of outriggers
		MAX.	MIN.		MAX.	
2.4 m and below	3,030	3,030	1,580	2.7 m and below	2,330	2,330
2.5 m	2,830	2,830	1,480	3.0 m	2,130	2,130
3.0 m	2,430	2,430	1,080	3.5 m	1,830	1,830
3.5 m	2,030	2,030	830	4.0 m	1,630	1,530
4.0 m	1,730	1,600	650	4.5 m	1,480	1,280
4.5 m	1,480	1,300	530	5.0 m	1,330	1,080
5.0 m	1,330	1,080	430	5.5 m	1,150	900
5.55 m	1,150	880	350	6.0 m	1,080	800
				6.5 m	980	680
				7.0 m	880	600
				7.75 m	750	480

LOAD RADIUS	10.12 m BOOM		LOAD RADIUS	12.3 m BOOM	
	CRANE STRENGTH	EMPTY CHASSIS		CRANE STRENGTH	EMPTY CHASSIS
		extension width of outriggers			extension width of outriggers
		MAX.		MAX.	
4.0 m and below	1,230	1,230	4.5 m and below	930	930
5.0 m	980	980	5.0 m	830	830
6.0 m	830	780	6.0 m	700	700
7.0 m	730	600	7.0 m	600	580
8.0 m	650	480	8.0 m	500	480
9.0 m	580	400	9.0 m	450	400
9.92 m	530	330	10.0 m	400	330
			11.0 m	350	300
			12.1 m	330	250

Table D

LOAD RADIUS	3.52 m / 5.75 m BOOM			LOAD RADIUS	7.95 m BOOM	
	CRANE STRENGTH	EMPTY CHASSIS			CRANE STRENGTH	EMPTY CHASSIS
		extension width of outriggers				extension width of outriggers
		MAX.	MIN.		MAX.	
2.4 m and below	3,030	3,030	1,580	2.7 m and below	2,330	2,330
2.5 m	2,830	2,830	1,480	3.0 m	2,130	2,130
3.0 m	2,430	2,430	1,080	3.5 m	1,830	1,830
3.5 m	2,030	2,030	830	4.0 m	1,630	1,630
4.0 m	1,730	1,730	650	4.5 m	1,480	1,480
4.5 m	1,480	1,480	530	5.0 m	1,330	1,330
5.0 m	1,330	1,330	430	5.5 m	1,150	1,150
5.55 m	1,150	1,150	350	6.0 m	1,080	1,080
				6.5 m	980	980
				7.0 m	880	880
				7.75 m	750	750

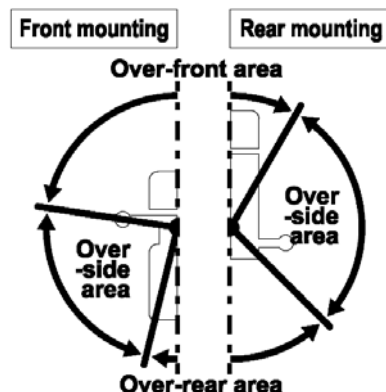
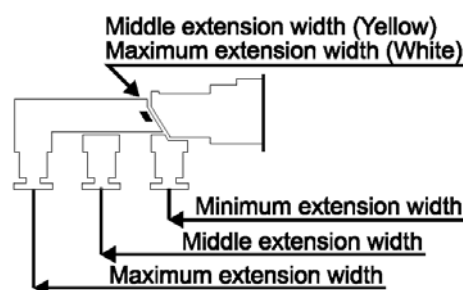
LOAD RADIUS	10.12 m BOOM		LOAD RADIUS	12.3 m BOOM	
	CRANE STRENGTH	EMPTY CHASSIS		CRANE STRENGTH	EMPTY CHASSIS
		extension width of outriggers			extension width of outriggers
		MAX.		MAX.	
4.0 m and below	1,230	1,230	4.5 m and below	930	930
5.0 m	980	980	5.0 m	830	830
6.0 m	830	830	6.0 m	700	700
7.0 m	730	730	7.0 m	600	600
8.0 m	650	650	8.0 m	500	500
9.0 m	580	580	9.0 m	450	450
9.92 m	530	530	10.0 m	400	400
			11.0 m	350	350
			12.1 m	330	330

- NOTE :
1. Rated capacity indicator issues warning with the limit warning lamp and the buzzer when the working state approaches the stability limit or the strength limit.
 2. When the AML is equipped with the rated capacity limiter, an operation stops automatically if the rated lifting capacity is exceeded.
 3. When the crane is front mounted, set up the front outriggers so that the front wheels are slightly in contact with the ground. (If tire deformation is large, AML may activate earlier.)
 4. Empty Chassis Rated Capacities in these tables depend on condition that crane is set level on firm level ground.
 5. This value includes the mass of lifting devices such as hook block (30kg).
 6. When the outriggers are extended to the middle width, read the capacities rated for the minimum extension width.
 7. This load radius shows actual load radius which includes boom deflection.
 8. Rated lifting capacity is in consideration of the loading on the truck bed, and is within the range from the empty chassis rated lifting capacity to the crane strength rated lifting capacity.
 9. If the boom length exceeds the table value even a little, the performance is limited to the performance of the next boom length.
 10. When the boom length is 10.12 m, a half of the \square mark on lateral face of the 4th boom section is exposed out of 3rd boom section.
 11. Empty chassis rated lifting capacity varies according to the working area.
 - Front mounting <over-side, over-rear area> : 100%
 <over-front area> : 25% (*1) or 60% (*1) or 100% (*1)
 - Rear mounting <over-front, over-rear area> : 100%
 <over-side area> : 30%
 - *1 : Depend on the types of chassis.
 12. Empty Chassis Rated Capacities table A, C and D depend on the types of chassis. (The following table shows guidelines for bodywork vehicles that can achieve the rated lifting capacity table A and C for vehicles. Be sure to carry out a stability inspection to determine which performance to apply.)

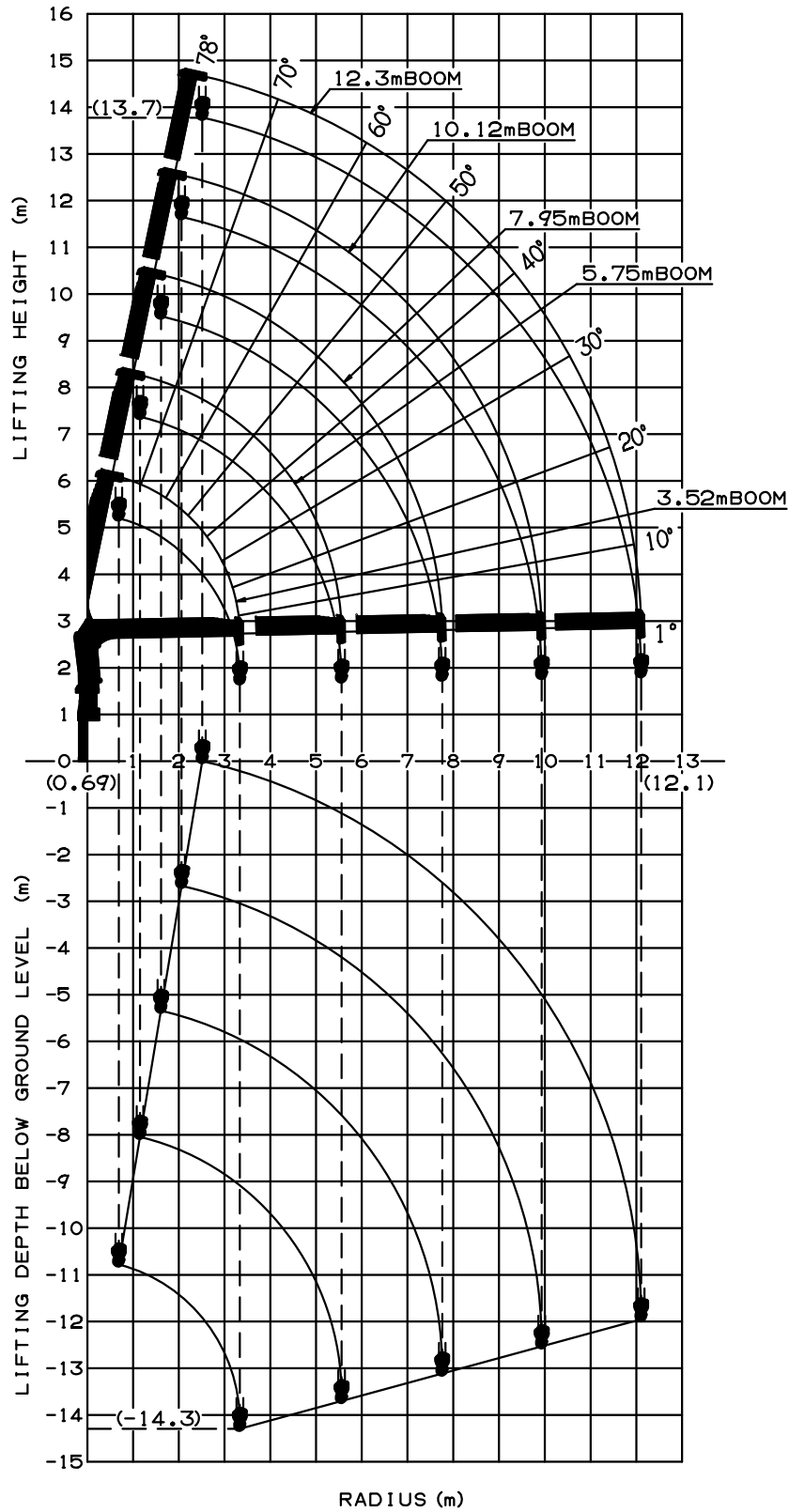
A	8.0 t ≤ GVW < 14.5 t
C	11.0 t ≤ GVW < 14.5 t, 4200 mm ≤ WB (*2)

*2 : From the front axle to the farthest rear axle.

Extension mark

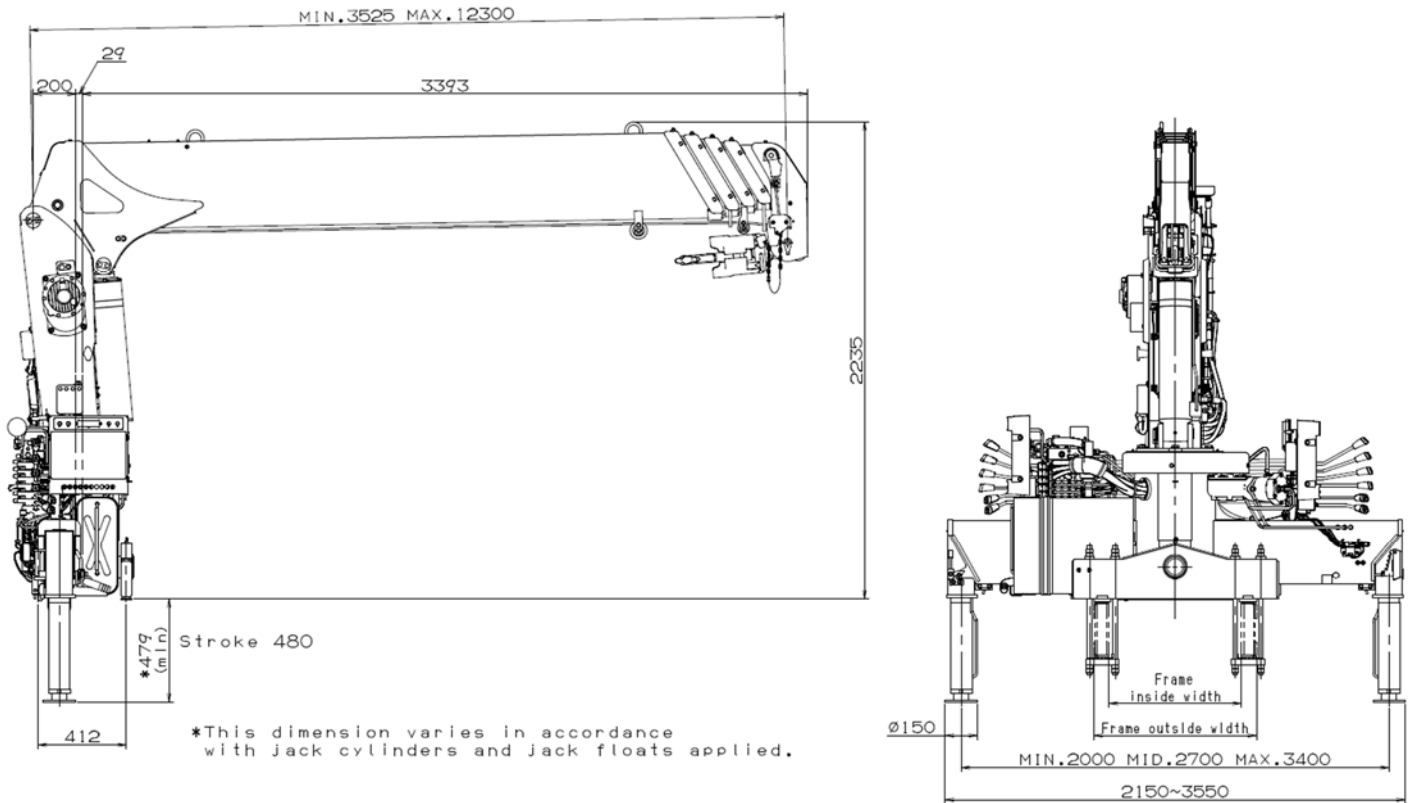


WORKING RANGE



NOTE : The above lifting heights and boom angles are based on a straight (unladen) boom, and allowance should be made for boom deflection obtained under laden conditions.

DIMENSIONS



GENERAL DATA FOR SUITABLE TRUCKS

Gross vehicle weight	8,000 to 14,500 kg
P.T.O. torque	190 N·m {19.4 kgf·m} min.
P.T.O. revolution range of use (min. to max.)	Approx. 350 to 1,300 min ⁻¹ {rpm}
Width for crane mounting	Approx. 640 mm min.
Frame	Weight distribution and frame strength should be calculated for each truck
Frame width range (inside to outside)	Approx. 610 to 860 mm
Frame height (ground to chassis frame top) (※1)	Approx. 655 to 785 mm
Chassis frame section modulus (※2)	238 cm ³ min.

※1 Height of crane mounting surface is changed by crane bases.

※2 The chassis frame material must meet the following conditions at the crane mounting location.

—Yield point : 392 N/mm²

—Tensile strength : 540 N/mm²